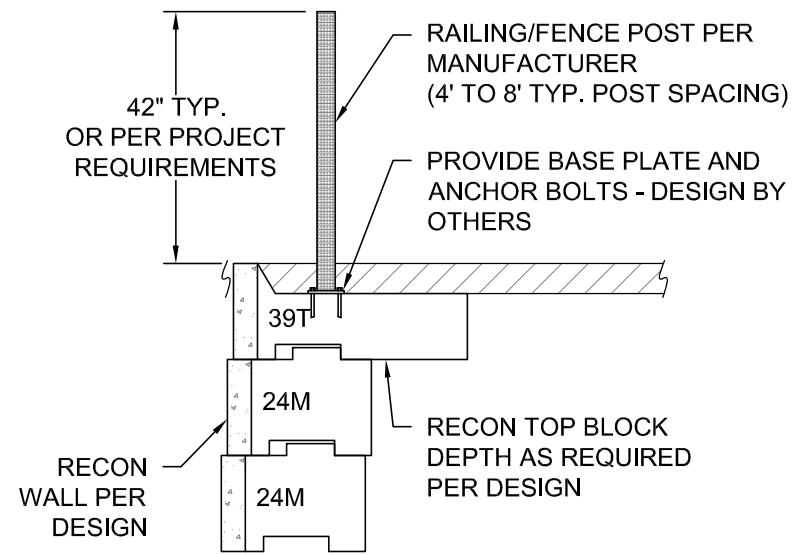
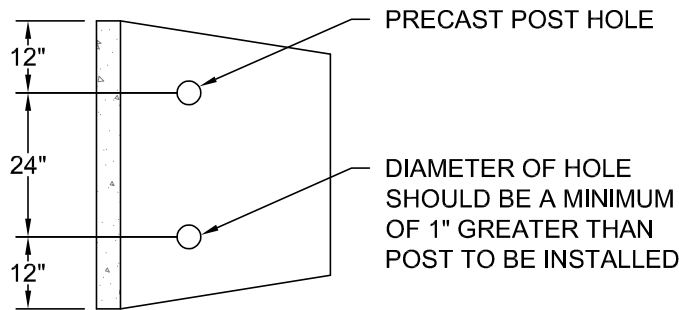


**FENCE/RAILING CONNECTION - OPTION 1**  
**SECTION VIEW**



**FENCE/RAILING CONNECTION - OPTION 2**  
**SECTION VIEW**



**FENCE/RAILING CONNECTION - OPTION 1**  
**PLAN VIEW**

**NOTES:**

1. BLOCK MASS REQUIRED TO RESIST POST LOADING SHALL BE DETERMINED BY THE DESIGN ENGINEER.
2. MANUFACTURER/ENGINEER TO PROVIDE ADEQUATE POST AND FINAL CONNECTION REQUIREMENTS.
3. DETAILS SHOWN ARE FOR POST TO BLOCK CONNECTION OPTIONS. REFER TO DRAWING #402 BLOCK TO BLOCK CONNECTION.
4. CONNECTION OPTIONS SHOWN ARE FOR POST TO TOP BLOCK. CONNECTION WOULD BE SIMILAR WHEN ATTACHING TO RECON'S FULL HIGH CAP OR OTHER BLOCKS.
5. CHECK WITH LOCAL RECON PRODUCER FOR AVAILABILITY OF BLOCKS WITH PRECAST HOLES.

© Copyright 2016 ReCon Wall Systems, Inc. All Rights Reserved

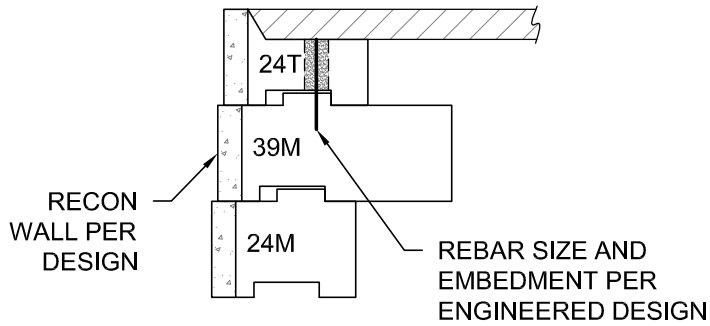
Disclaimer: This drawing has been prepared by ReCon Wall Systems, Inc. and to the best of its knowledge, accurately represents the product use in the application that it is illustrated. This drawing is intended for conceptual purposes only. Anyone making use of this drawing does so at their own risk and assumes all liability for such use. Final design for construction purposes must be completed by a Registered Professional Engineer who is familiar with the product and who has taken into account specific site conditions.



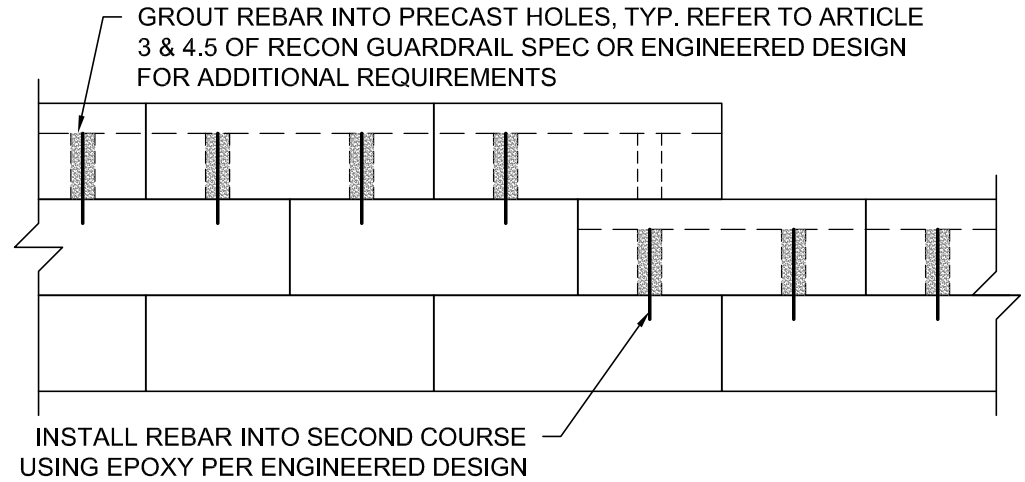
**DRAWING #401**

**RAILING/FENCE POST TO  
BLOCK CONNECTION DETAILS**

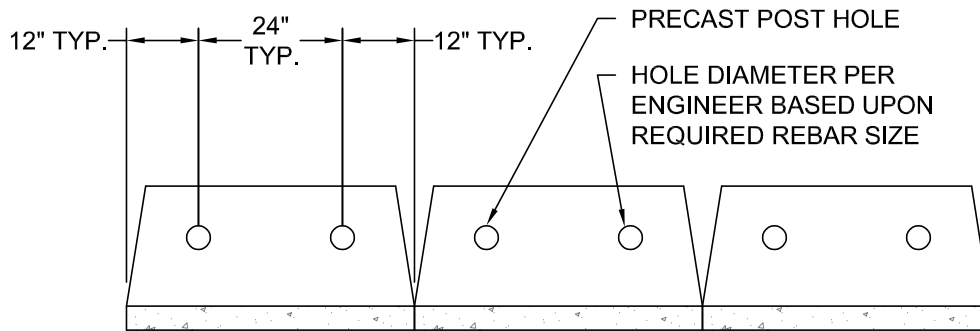
RECON WALL SYSTEMS, INC.  
7600 W. 27th STREET, #229  
ST. LOUIS PARK, MN 55426  
952-922-0027  
www.reconwalls.com



**SECTION VIEW**



**PROFILE VIEW**



**PLAN VIEW**

NOTE: CONNECTION DETAIL SHOWN IS INTENDED TO VISUALLY DEPICT THE REQUIREMENTS FOR FASTENING TWO COURSES OF BLOCK TOGETHER. FINAL DESIGN FOR THE CONNECTION REQUIREMENTS INCLUDING SIZE, SPACING, EMBEDMENT AND EPOXY GROUTING REQUIREMENTS FOR THE REBAR ARE THE RESPONSIBILITY OF THE WALL DESIGN ENGINEER. CHECK WITH LOCAL RECON PRODUCER FOR AVAILABILITY OF BLOCKS WITH PRECAST HOLES.

© Copyright 2016 ReCon Wall Systems, Inc. All Rights Reserved

Disclaimer: This drawing has been prepared by ReCon Wall Systems, Inc. and to the best of its knowledge, accurately represents the product use in the application that it is illustrated. This drawing is intended for conceptual purposes only. Anyone making use of this drawing does so at their own risk and assumes all liability for such use. Final design for construction purposes must be completed by a Registered Professional Engineer who is familiar with the product and who has taken into account specific site conditions.



DRAWING #402

**BLOCK TO BLOCK CONNECTION  
OPTION 1 (REBAR)**

RECON WALL SYSTEMS, INC.  
7600 W. 27th STREET, #229  
ST. LOUIS PARK, MN 55426  
952-922-0027  
www.reconwalls.com