

WORKING VOLUME to liquid depth: 7700L (1700 GAL)
 TOTAL VOLUME to underside of lid: 10210L (2248 GAL)

CONCRETE: 32 MPa @ 28 DAYS WITH 5-8% AIR ENTRAINMENT
 NON-SULPHATE RESISTANT

REINFORCEMENT: 10M DEFORMED BAR W/ MIN 25mm (1") COVER
 WALLS AND BASE @ 600mm O/C EW
 LID @ 375mm O/C EW
 DIVIDER WALL @ 600mm O/C EW

WEIGHT: TANK W/ DIVIDER WALL 5600 KG (12525 LBS)
 LID 2880 KG (6450 LBS)
 TOTAL 8480 KG (18975 LBS)

MAXIMUM BURIAL DEPTH: 600mm (24") EARTH COVER - NON-VEHICULAR TRAFFIC

WATER TIGHTNESS: CON-SEAL CS-102 MASTIC SEALANT BETWEEN LID AND TANK BODY APPLIED ON-SITE BY BOYD BROTHERS LTD. ACCORDING TO MANUFACTURER'S RECOMMENDED METHOD.

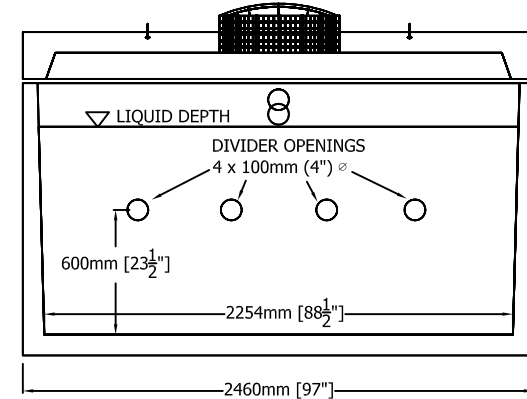
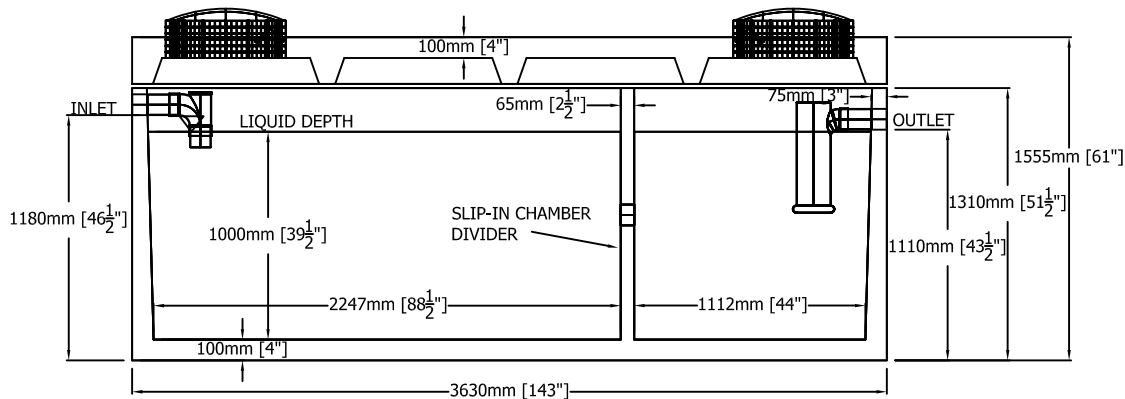
CENTRE WALL CAST SEPARATELY AND FACTORY INSTALLED PRIOR TO SHIPMENT

PIPE/WALL CONNECTIONS:
 INLET - POLYLOK IV HIGH PRESSURE SEAL CAST IN CONCRETE FITTED WITH 100mm (4") OPEN-TOPPED TEE BAFFLE EXTENDING INTO LIQUID LEVEL 100mm (4")
 OUTLET - 100mm (4") PVC COUPLER CAST IN CONCRETE FITTED WITH TUF-TITE EF-6 EFFLUENT FILTER (1.6mm (1/16") FILTRATION) EXTENDING INTO LIQUID LEVEL 400mm (16")

ACCESS OPENINGS: TUF-TITE 600mm \varnothing ACCESS RISERS AND LID CAST IN CONCRETE. LID SECURED WITH STAINLESS STEEL HARDWARE. LID EXTENDS 150mm ABOVE TOP OF TANK. ADDITIONAL RISERS CAN BE ADDED TO BRING ACCESS TO GRADE.

TANK BODY AND LID LIFTED USING BOYD BROTHERS LTD SUPPLIED RIGGING.

CONFORMS TO CSA STANDARD B66-10.



BOYD BROTHERS
 5450 CUDDY ST, OSGOODE, ONT, K0A 2W0
 tel (613) 826-2318 fax (613) 826-3679
 toll free 888-846-6664
 website www.boydbrosconcrete.ca
 e-mail info@boydbrosconcrete.ca

PRODUCT		
7700L (1700 GAL) REGULAR SEPTIC TANK		
SERIES NO	MODEL NO	MODELS IN SERIES
9400	7700R	9400R, 7700R, 7200LB
SCALE	REV	DATE
1:36	2.0	MAY 25, 2012