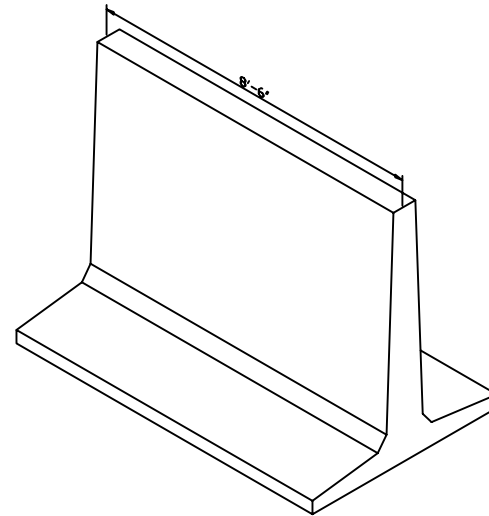
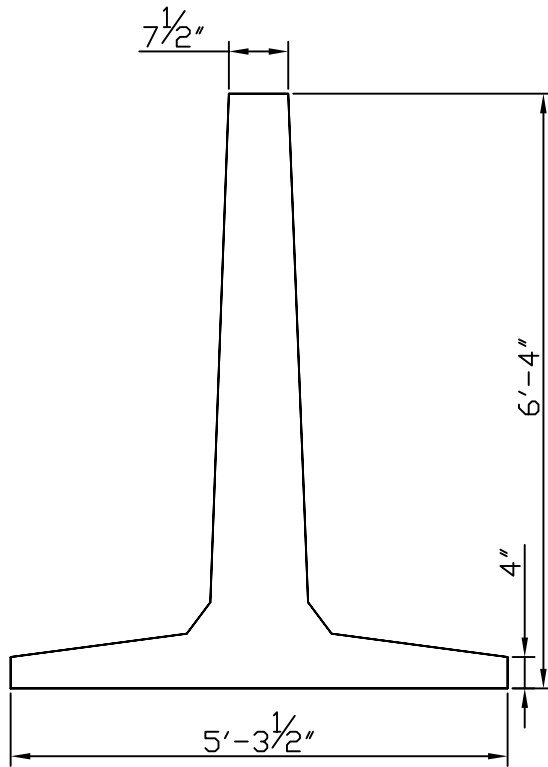


T-WALL BUNK SILO

35 MPa CONCRETE
 5-8% AIR ENTRAINMENT
 10mm REBAR 300mm O/C E/W

TONGUE AND GROOVE CONSTRUCTION
 POTABLE BUTYL SEALANT BETWEEN PANELS TO MINIMIZE
 SPOILAGE

WEIGHT: 4400 Kg



BOYD BROTHERS

5450 CUDDY ST, OSGOODE, ONT, K0A 2W0
 tel (613) 826-2318 fax (613) 826-3679
 toll free 888-846-6664
 website www.boydbrosconcrete.ca
 e-mail info@boydbrosconcrete.ca

PRODUCT			BUNK SILO - 6FT T-WALL		
SERIES NO	MODEL NO	MODELS IN SERIES			
BUNK SILO	T-6	T-10 T-6			
SCALE	REV	DATE			
1:X	1.0	JUNE 30 2011			