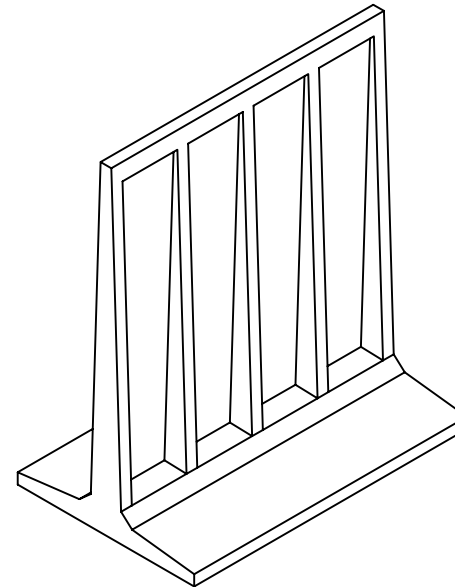
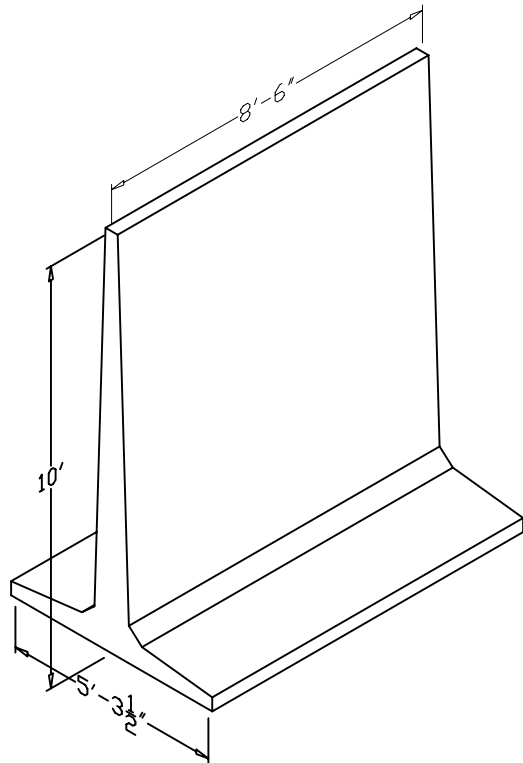
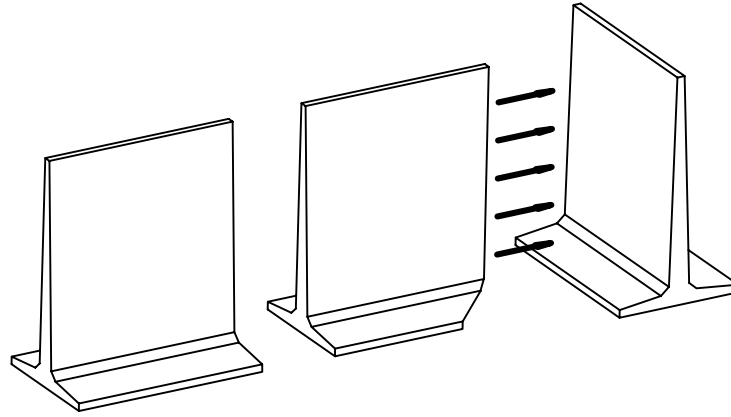


T-WALL BUNK SILO

35 MPa AIR-ENTRAINED CONCRETE
 10mm REBAR 300mm O/C E/W

WAFFLED OUTER WALL - 5200Kg
 SOLID DIVIDER WALL - 5900 Kg

TONGUE AND GROOVE CONSTRUCTION
 POTABLE BUTYL SEALANT BETWEEN PANELS TO MINIMIZE SPOILAGE



BOYD BROTHERS

5450 CUDDY ST
 OSGOODE, ONT, K0A 2W0
 tel (613) 826-2318
 fax (613) 826-3679
 toll free 888-846-6664

PRODUCT		
BUNK SILO - 10FT T-WALL		
SERIES NO	MODEL NO	MODELS IN SERIES
BUNK SILO		T-10, L-10, E-10, C-10
SCALE	REV	DATE
1:X	1.0	FEBRUARY 28, 2008