

WORKING VOLUME: 1775 LITRES (390 GAL)

TOTAL VOLUME: 2185 LITRES (480 GAL)

CONCRETE: 32 MPa WITH 5-8% AIR ENTRAINMENT  
NON-SULPHATE RESISTANT

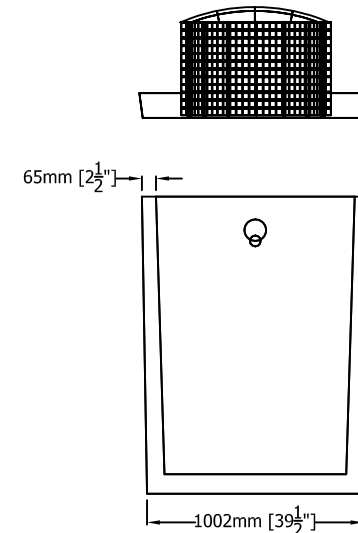
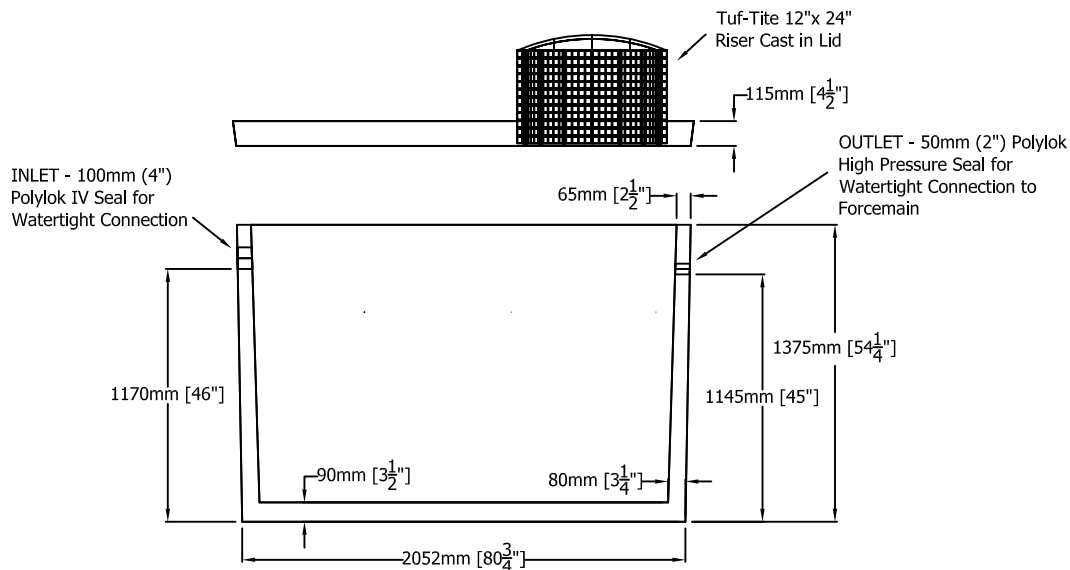
REINFORCING: 10 DEFORMED BAR W/ MIN 25mm (1") COVER  
TANK BODY @ 600mm O/C E/W  
LID @ 4pcs LONGIT. / 5pcs LATID. EVENLY SPACED

WEIGHT TOP SECTION: 440Kg (1000lbs)  
BOTTOM SECTION: 1760Kg (3950lbs)

MAXIMUM BURIAL DEPTH 1200mm (48")  
DEEPER BURIAL AVAILABLE UPON REQUEST

WATER TIGHTNESS CON-SEAL CS-102 MASTIC SEALANT BETWEEN LID AND  
TANK APPLIED AS PER MANUFACTURER'S  
RECOMMENDED METHOD.

PIPE/ WALL CONNECTIONS: INLET: POLYLOK IV (100mm) HIGH PRESSURE BOOT SEAL  
OUTLET: POLYLOK II (50mm) HIGH PRESSURE BOOT SEAL



**BOYD BROTHERS**

5450 CUDDY ST  
OSGOODE, ONT, K0A 2W0  
tel (613) 826-2318  
fax (613) 826-3679  
toll free 888-846-6664

PRODUCT		
1700L PUMPCHAMBER		
SERIES NO	MODEL NO	MODELS IN SERIES
1700	1700	1700, 1700OIL, 900LOW, 900OIL
SCALE	REV	DATE
1:X	2.0	Oct 29, 2018