

WORKING VOLUME: 34465L  
 TOTAL VOLUME: 37600L

CONCRETE: 35 MPa WITH 5-8% AIR ENTRAINMENT  
 NON-SULPHATE RESISTANT

REINFORCING: WALLS, FLOOR, AND LID  
 D9.5 HIGH TENSILE STEEL MAT W/MIN 38mm COVER  
 150MM O/C E/W  
 OR  
 10M@ 200mm O/C E/W  
 10M BAR DIAGONALS AT EACH CORNER OF LID OPENINGS

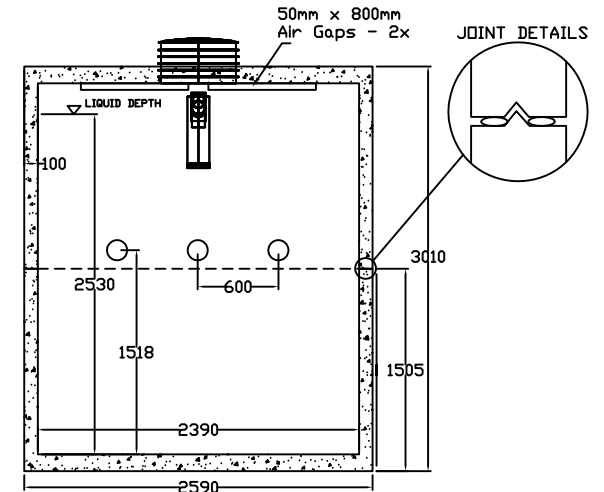
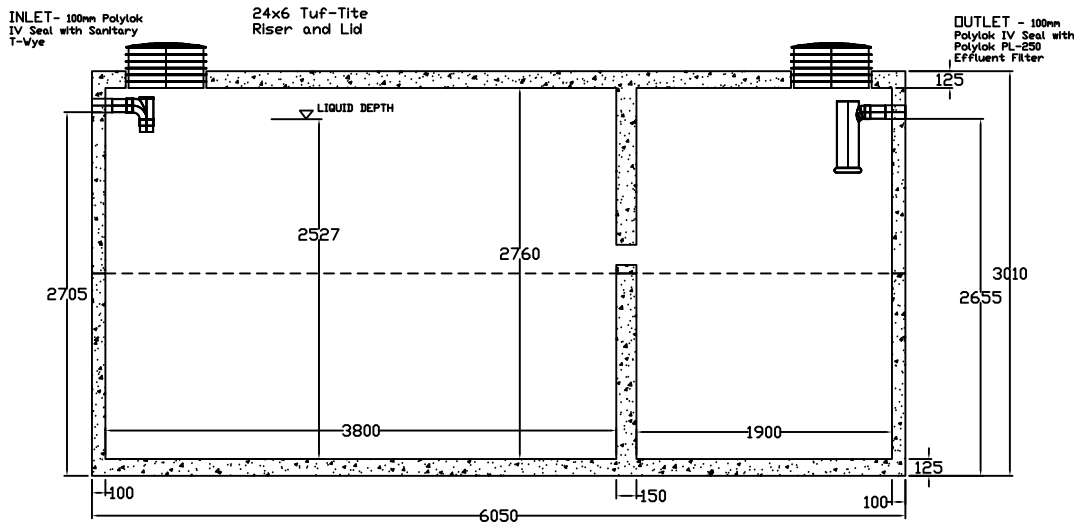
WEIGHT TOP SECTION 11120 KGS  
 BOTTOM SECTION 11120 KGS  
 TOTAL 22240 KGS

MAXIMUM BURIAL DEPTH: 1200mm (48")

WATER TIGHTNESS: 2X ROWS CON-SEAL CS-102 MASTIC SEALANT  
 BETWEEN PIECES. SEALANT APPLIED ONSITE BY BOYD BROS  
 CONCRETE ACCORDING TO MANUFACTURER'S  
 RECOMMENDED METHOD.

PIPE/WALL CONNECTIONS: POLYLOK IV 100mm HIGH PRESSURE SEAL CAST  
 IN CONCRETE

ACCESS OPENINGS: TUF-TITE 24X6 RISER AND LID. ADDITIONAL RISERS  
 AVAILABLE. OPSD AND PUMP ACCESS LIDS AVAILABLE.



**BOYD BROTHERS**  
 5450 CUDDY ST, OSGOOD, ONT, K0A 2W0  
 tel (613) 826-2318 fax (613) 826-3679  
 toll free 888-846-6664  
 website www.boydbrosconcrete.ca  
 e-mail info@boydbrosconcrete.ca

PRODUCT  
**34000L 2-COMPARTMENT SEPTIC TANK**

SERIES NO	MODEL NO	MODELS IN SERIES
12.2	30	12.2, 13.6, 18.5, 23, 27, 30, 35
SCALE	REV	DATE
1:50	1.0	JAN 3, 2018