

WORKING VOLUME: 3600 LITRES (800 GAL)
 TOTAL VOLUME: 4300 LITRES (900 GAL)

CONCRETE: 32 MPa WITH 5-8% AIR ENTRAINMENT
 NON-SULPHATE RESISTANT

REINFORCEMENT:
 TANK - 3Kg / METRE EUCLID TUF-STRAND SF SYNTHETIC STRUCTURAL FIBRE
 LID - 3Kg / METRE EUCLID TUF-STRAND SF SYNTHETIC STRUCTURAL FIBRE
 10M DEFORMED BAR 375mm O/C EW W/MIN 25mm (1\") COVER

WEIGHT:
 TOP SECTION - 850 Kg (1900 lbs)
 BOTTOM SECTION - 3120 Kg (7000 lbs)
 TOTAL - 3970Kg (8900 lbs)

MAXIMUM BURIAL DEPTH: 600mm (24\") EARTH COVER - NON-VEHICULAR TRAFFIC

WATER TIGHTNESS: CON-SEAL CS-102 MASTIC SEALANT BETWEEN LID AND BOTTOM SECTION APPLIED IN FACTORY ACCORDING TO MANUFACTURER'S RECOMMENDED METHOD.

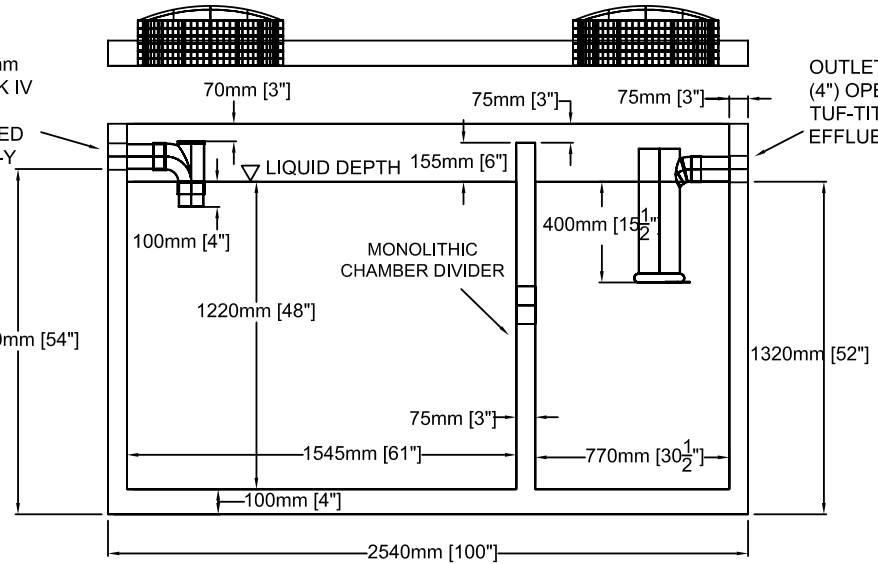
PIPE / WALL CONNECTIONS:
 INLET: POLYLOK IV HIGH PRESSURE SEAL CAST IN CONCRETE WITH BAFFLE INSTALLED.
 OUTLET: 100mm (4\") FLEXIBLE PVC COUPLER CAST IN CONCRETE WITH FILTER INSTALLED.
 INLET BAFFLE AND EFFLUENT FILTER EXTEND 100mm AND 400mm, RESPECTIVELY, BELOW LIQUID.
 OPEN-TOPPED EFFLUENT FILTER EXTENDS VERTICALLY TO AT LEAST THE TOP OF CHAMBER DIVIDER WITH 25mm MIN. AIR SPACE.

TANK BODY AND LID LIFTED USING BOYD BROTHERS LTD SUPPLIED RIGGING.

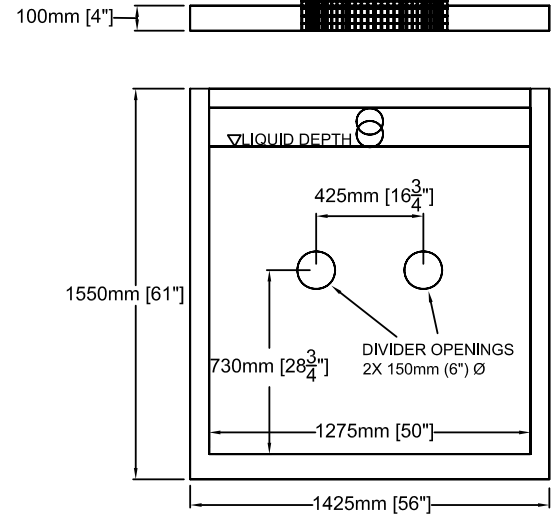
TUF-TITE 6\" X 20\" RISER CAST IN CONCRETE. ADDITIONAL GRADE RINGS AVAILABLE.

CONFORMS TO CSA STANDARD B66-10

INLET - 100mm (4\") POLYLOK IV SEAL WITH OPEN-TOPPED SANITARY T-Y BAFFLE



OUTLET - 100mm (4\") OPEN-TOPPED TUF-TITE EF-6 EFFLUENT FILTER



BOYD BROTHERS
 5450 CUDDY ST, OSGOODE, ONT, K0A 2W0
 tel (613) 826-2318 fax (613) 826-3679
 toll free 888-846-6664
 website www.boydbrosconcrete.ca
 e-mail info@boydbrosconcrete.ca

PRODUCT		
3600L (800 GAL) REGULAR SEPTIC TANK		
SERIES NO	MODEL NO	MODELS IN SERIES
3600	3600R	3600R
SCALE	REV	DATE
1:30	6.0	MARCH 1, 2011