

WORKING VOLUME: 3600 LITRES (800 GAL)
 TOTAL VOLUME: 4300 LITRES (900 GAL)

CONCRETE: 32 MPa WITH 5-8% AIR ENTRAINMENT
 NON-SULPHATE RESISTANT

REINFORCEMENT:
 TANK - 10M DEFORMED BAR 600mm O/C E/W w/ MIN 25mm COVER
 LID - 10M DEFORMED BAR 375mm O/C E/W w/ MIN 25mm COVER

WEIGHT: TOP SECTION - 850 Kg (1900 lbs)
 BOTTOM SECTION - 3120 Kg (7000 lbs)
 TOTAL - 3970Kg (8900 lbs)

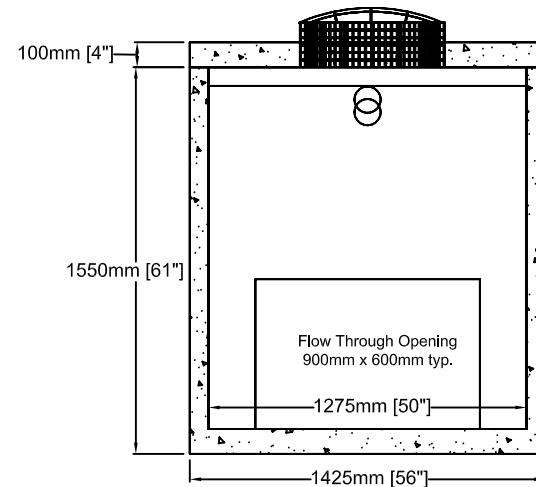
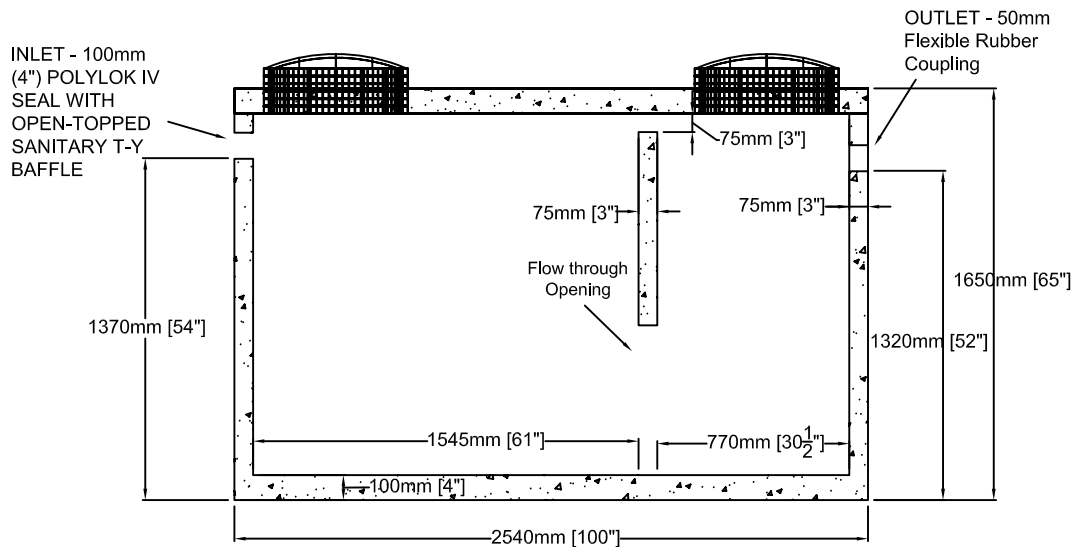
MAXIMUM BURIAL DEPTH: 1200mm (48")

WATER TIGHTNESS: CON-SEAL CS-102 MASTIC SEALANT BETWEEN LID AND BOTTOM SECTION APPLIED IN FACTORY ACCORDING TO MANUFACTURER'S RECOMMENDED METHOD.

PIPE / WALL CONNECTIONS:
 INLET: POLYLOK IV HIGH PRESSURE SEAL CAST IN CONCRETE WITH BAFFLE INSTALLED.
 OUTLET: 50mm (2") FLEXIBLE PVC COUPLER CAST IN CONCRETE SUITABLE FOR FORCEMAIN CONNECTION.

TANK BODY AND LID LIFTED USING SLING.

TUF-TITE 6" X 20" RISER CAST IN CONCRETE.



BOYD BROTHERS
 5450 CUDDY ST, OSGOODE, ONT, K0A 2W0
 tel (613) 826-2318 fax (613) 826-3679
 toll free 888-846-6664
 website www.boydbrosconcrete.ca
 e-mail info@boydbrosconcrete.ca

PRODUCT		
3600L (800 GAL) PUMP CHAMBER		
SERIES NO	MODEL NO	MODELS IN SERIES
3600	3600PC	3600R, 3600PC, 3200 OIL
SCALE	REV	DATE
1:30	1.0	JAN 5, 2018