

WORKING VOLUME to liquid depth: 4800L (1050 GAL)  
 TOTAL VOLUME to underside of lid: 5700L (1250 GAL)

CONCRETE: 32MPa @ 28 DAYS WITH 5-8% AIR-ENTRAINMENT  
 NON-SULPHATE RESISTANT

REINFORCEMENT: 10M DEFORMED BAR W/MIN 25mm (1\") COVER  
 WALLS AND BASE 2- 10M bar horizontal and vertical spaced evenly  
 LID @ 375mm O/C EW

WEIGHT: TANK BODY: 3770 KG (8,450 LBS)  
 LID: 1030 KG (2,300 LBS)  
 TOTAL: 4800 KG (10,750 LBS)

BURIAL DEPTH: 600mm (24\") MAXIMUM EARTH COVER - NON-VEHICULAR TRAFFIC

WATER TIGHTNESS: CON-SEAL CS-102 MASTIC SEALANT BETWEEN LID AND BOTTOM SECTION  
 APPLIED IN FACTORY ACCORDING TO MANUFACTURER'S RECOMMENDED METHOD

CENTRE WALL MONOLITHIC WITH TANK BODY

PIPE/WALL CONNECTIONS:

INLET - POLYLOK IV HIGH PRESSURE SEAL CAST IN CONCRETE FITTED WITH 100mm (4\")

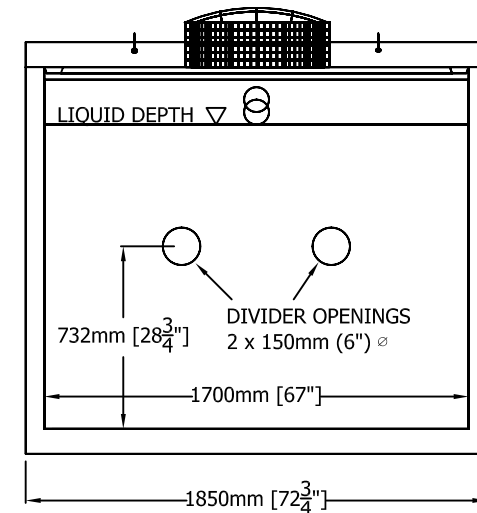
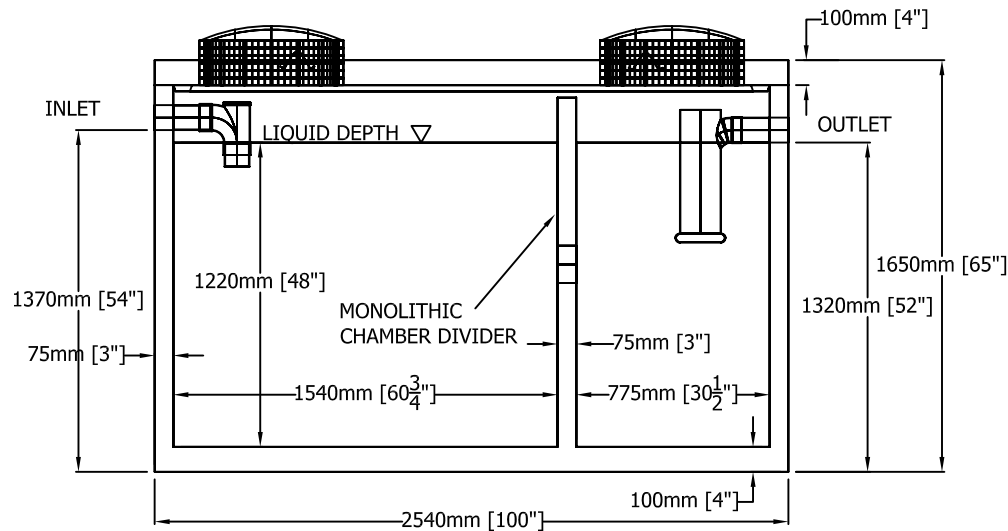
OPEN-TOPPED TEE BAFFLE EXTENDING INTO LIQUID LEVEL 100mm (4\").

OUTLET - POLYLOK IV HIGH PRESSURE SEAL CAST IN CONCRETE FITTED WITH  
 TUF-TITE EF-6 EFFLUENT FILTER (1.6mm (1/16\") FILTRATION) EXTENDING INTO LIQUID  
 LEVEL 400mm (16\")

ACCESS OPENINGS: TUF-TITE 600mm $\varnothing$  ACCESS RISERS AND LID CAST IN CONCRETE. LID SECURED  
 WITH STAINLESS STEEL HARDWARE. LID EXTENDS 150mm ABOVE TOP OF TANK. ADDITIONAL  
 RISERS CAN BE ADDED TO BRING ACCESS TO GRADE.

TANK BODY AND LID LIFTED USING BOYD BROTHERS LTD SUPPLIED RIGGING

CONFORMS TO CSA STANDARD B66-10



**BOYD BROTHERS**  
 5450 CUDDY ST, OSGOODE, ONT, K0A 2W0  
 tel (613) 826-2318 fax (613) 826-3679  
 toll free 888-846-6664  
 website www.boydbrosconcrete.ca  
 e-mail info@boydbrosconcrete.ca

PRODUCT		
4800L (1050 GAL) REGULAR SEPTIC TANK		
SERIES NO	MODEL NO	MODELS IN SERIES
4800	4800R	4800R, 3600L
SCALE	REV	DATE
1:30	1.0	MARCH 1, 2011