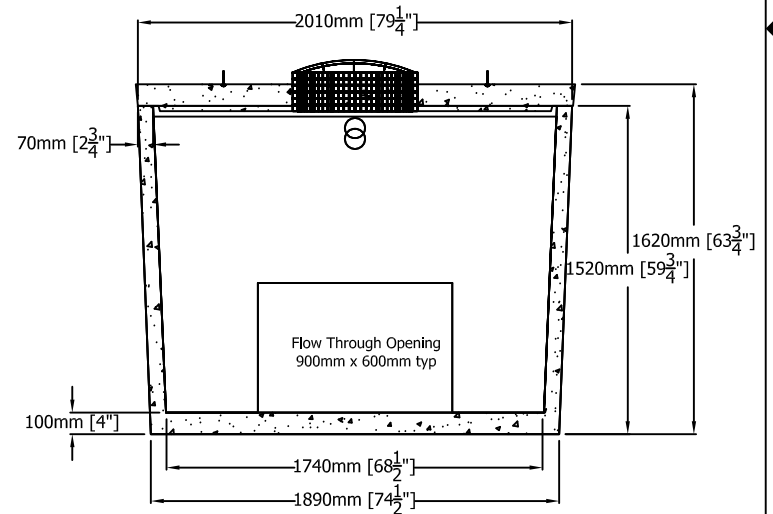
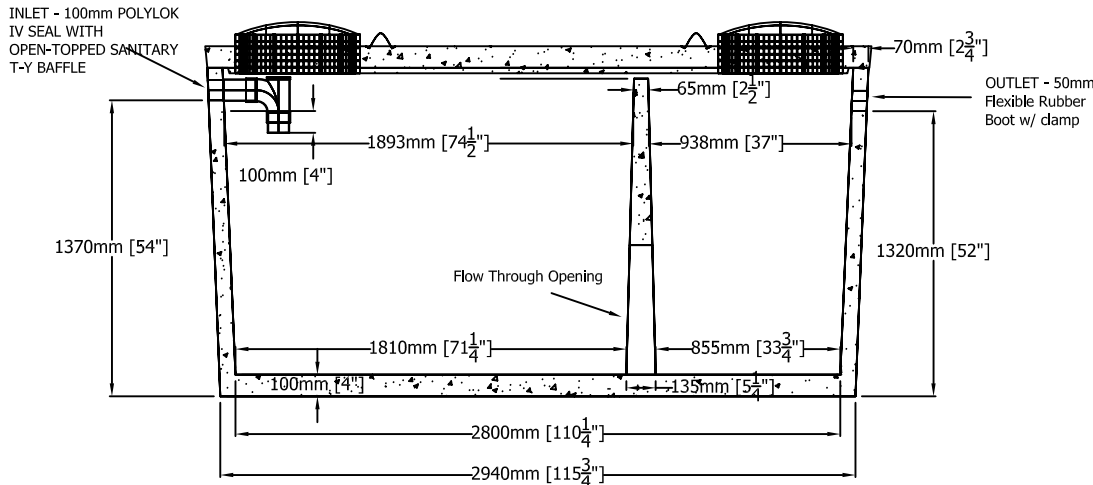


WORKING VOLUME: 6000 LITRES (1320 GAL)
 TOTAL VOLUME: 7100 LITRES (1560 GAL)
 CONCRETE: 32 MPa WITH 5-8 % AIR ENTRAINMENT
 NON-SULPHATE RESISTANT
 REINFORCING: 10M DEFORMED BAR W/ MIN 25mm (1") COVER
 WALLS AND BASE @ 600mm O/C EW
 LID @ 375mm O/C EW
 WEIGHT: TOP SECTION - 1840 Kg (4120 lbs)
 BOTTOM SECTION W/ DIV - 4220 Kg (9450 lbs)
 TOTAL - 6060 Kg (13570 lbs)

MAXIMUM BURIAL DEPTH: 1200mm
 WATER TIGHTNESS: CON-SEAL CS-102 MASTIC SEALANT BETWEEN LID AND
 BOTTOM SECTION APPLIED IN FACTORY ACCORDING TO MANUFACTURER'S
 RECOMMENDED METHOD
 CENTRE WALL MONOLITHIC WITH TANK BODY.
 TANK BODY LIFTED USING A SLING
 PIPE / WALL CONNECTIONS:
 INLET: POLYLOK IV HIGH PRESSURE SEAL CAST IN CONCRETE WITH BAFFLE
 INSTALLED.
 OUTLET: 50mm FLEXIBLE RUBBER BOOT W/ CLAMP CAST IN CONCRETE SUITABLE
 FOR FORCEMAIN CONNECTION

TUF-TITE 6" X 20" RISERS CAST IN CONCRETE FOR ACCESS. CONCRETE HATCHES
 OPTIONAL.



BOYD BROTHERS
 5450 CUDDY ST, OSGOODE, ONT, K0A 2W0
 tel (613) 826-2318 fax (613) 826-3679
 toll free 888-846-6664
 website www.boydbrosconcrete.ca
 e-mail info@boydbrosconcrete.ca

PRODUCT		
6000L PUMP CHAMBER		
SERIES NO	MODEL NO	MODELS IN SERIES
6.0	6PC	6REG, 6PC, 4.5LOW, 4.5OIL
SCALE	REV	DATE
1:35	1.0	JAN 5, 2018