

WORKING VOLUME: 6000 LITRES (1320 GAL)
 TOTAL VOLUME: 7100 LITRES (1560 GAL)

CONCRETE: 32 MPa WITH 5-8% AIR ENTRAINMENT
 NON-SULPHATE RESISTANT
 325mL/METRE EUCLID EUCON WR WATER REDUCER
 1700mL / METRE EUCLID PLASTOL 341 PLASTICIZER

REINFORCING: 10M DEFORMED BAR W/ MIN 25mm (1") COVER
 WALLS AND BASE @ 600mm O/C EW
 LID @ 375mm O/C EW

WEIGHT: TOP SECTION - 1840 Kg (4120 lbs)
 BOTTOM SECTION W/ DIV - 4220 Kg (9450 lbs)
 TOTAL - 6060 Kg (13570 lbs)

MAXIMUM BURIAL DEPTH: 600mm (24")

WATER TIGHTNESS: CON-SEAL CS-102 MASTIC SEALANT BETWEEN LID AND
 BOTTOM SECTION APPLIED IN FACTORY ACCORDING TO MANUFACTURER'S
 RECOMMENDED METHOD

CENTRE WALL MONOLITHIC WITH TANK BODY.
 TANK BODY LIFTED USING A SLING

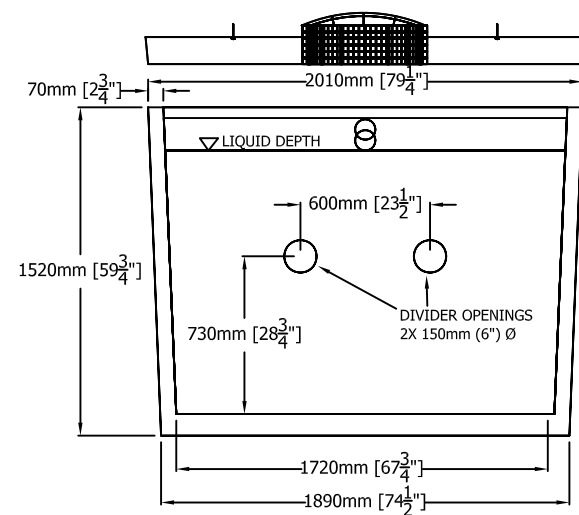
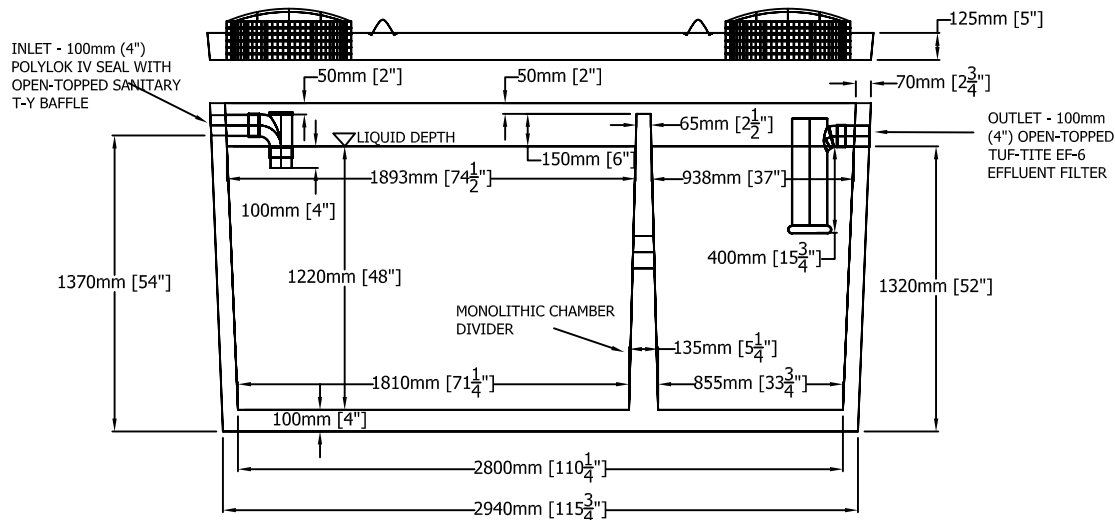
PIPE / WALL CONNECTIONS:

INLET: POLYLOK IV HIGH PRESSURE SEAL CAST IN CONCRETE WITH BAFFLE
 INSTALLED.

OUTLET: 100mm (4") PVC COUPLER CAST IN CONCRETE WITH FILTER INSTALLED.
 INLET BAFFLE AND EFFLUENT FILTER EXTEND 100mm AND 400mm, RESPECTIVELY,
 BELOW LIQUID.

OPEN-TOPPED EFFLUENT FILTER EXTENDS VERTICALLY TO AT LEAST THE TOP OF
 CHAMBER DIVIDER WITH 25mm MIN. AIR SPACE.

TUF-TITE 6" X 20" RISERS CAST IN CONCRETE FOR ACCESS. CONCRETE HATCHES
 OPTIONAL.



bb **BOYD BROS**
 concrete products and septic pumping

BOYD BROTHERS

5450 CUDDY ST
 OSGOODE, ONT, K0A 2W0
 tel (613) 826-2318
 fax (613) 826-3679
 toll free 888-846-6664

PRODUCT		
6000L (1320 GAL) REGULAR SEPTIC TANK		
SERIES NO	MODEL NO	MODELS IN SERIES
6000	6000R	6000R
SCALE	REV	DATE
1:35	6.0	JUNE 19, 2007