

WORKING VOLUME 990L
TOTAL VOLUME 1370L

CONCRETE
32 MPa w/ 5-8% air entrainment.
Non-sulphate resistant

REINFORCING
Body: 10M bar 600mm O/C E/W
Lid: 10M 4pcs Longit / 5 pcs Latit. evenly spaced

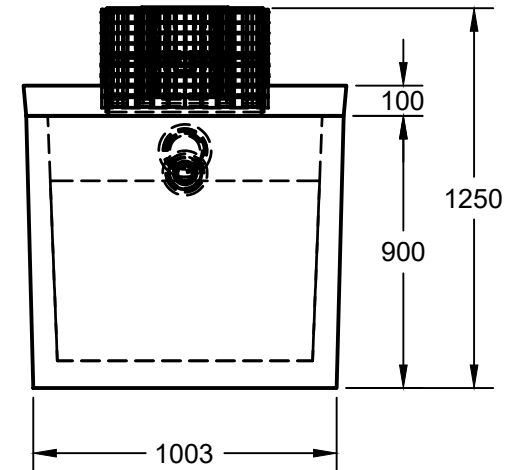
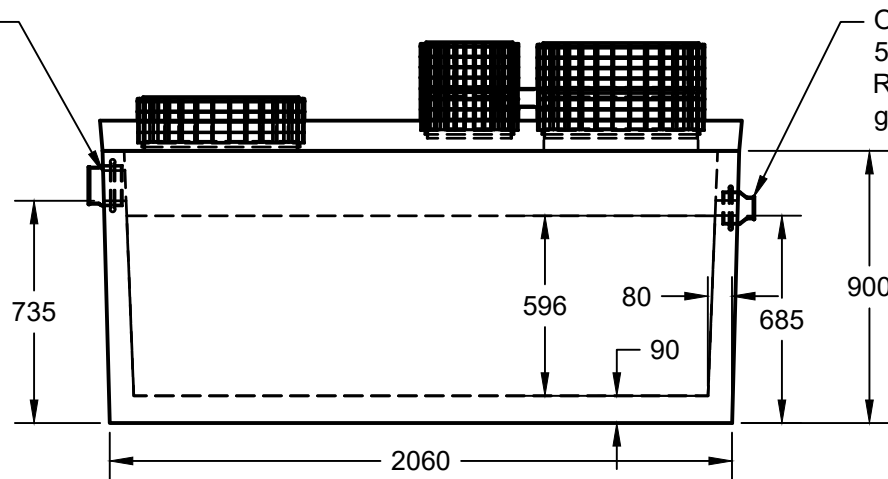
WEIGHT
1800KGs (4000lbs)

MAX BURIAL DEPTH
1.2m in a Non-Traffic Rated Location

WATER TIGHTNESS
Butyl mastic sealant between tank body and lid applied as per manufacturers recommended method.

PIPE/WALL CONNECTIONS
Inlet: 100mm flexible watertight rubber seal
Outlet: 500mm flexible watertight rubber seal

INLET: 100mm flexible rubber seal w/ gear clamp



bb boyd bros
concrete products

5450 Cuddy St Osgoode, ON K0A 2W0
tel (613)826.2318 fax (613)826.3679
toll free 888.846.6664
website www.boydbrosconcrete.ca
email info@boydbrosconcrete.ca

SCALE 1:25

WEIGHT 1800KGs

APPROVED

DRAWN Rob Sanna 2020-05-01

SIZE

A

DWG NO

REV

1

PROJECT

900L Pump Tank

TITLE

900Low