

SPECIFICATIONS

ALL DIMENSIONS IN MM

CONCRETE:

35MPa w/ 5-8% air entrainment
Non-sulphate resistant

REINFORCING:

10M bar at 200mm O/C E/W
All reinforcing steel has 30mm Min. Cover

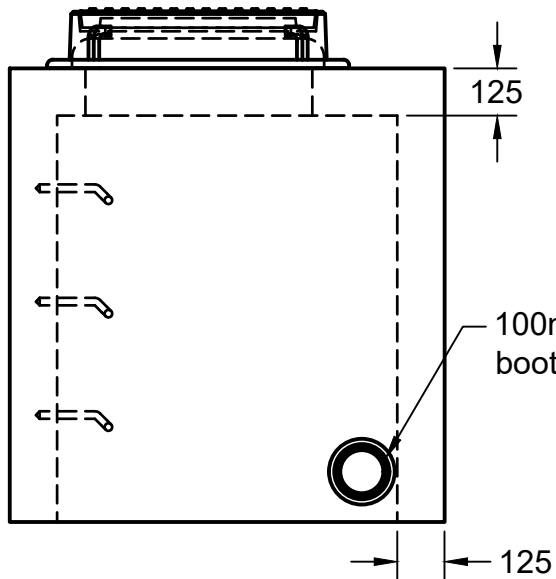
WEIGHT

1650KGs

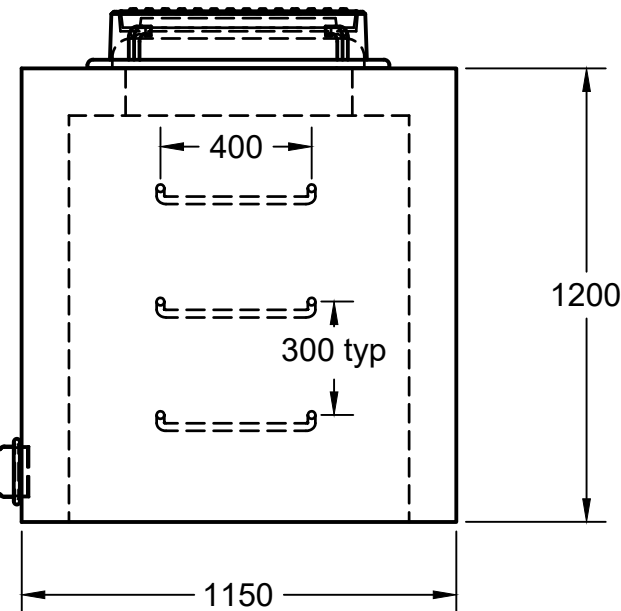
NOTES

OPTIONAL available with OPSD 401.030
Cast-iron manhole frame and cover

Solid Aluminum Ladder Rungs conform to
OPSD 405.010



100mm flexible
boot for Vent Pipe



bb boyd bros
concrete products

5450 Cuddy St Osgoode, ON K0A 2W0
tel (613)826.2318 fax (613)826.3679
toll free 888.846.6664
website www.boydbrosconcrete.ca
email info@boydbrosconcrete.ca

SCALE 1:20

WEIGHT 1650KGS

APPROVED

DRAWN Rob Sanna 2020-05-01

SIZE

A

DWG NO

REV

1

PROJECT

Swar Signs

TITLE

900x900 Manhole