

WORKING VOLUME: 9400L
 TOTAL VOLUME: 11000L

CONCRETE:
 32MPa w/ 5-8% Air Entrainment
 Non-sulphate resistant

REINFORCING:
 Lid - 10M bar at 375mm O/C E/W
 Tank body - 10M bar at 600mm O/C E/W

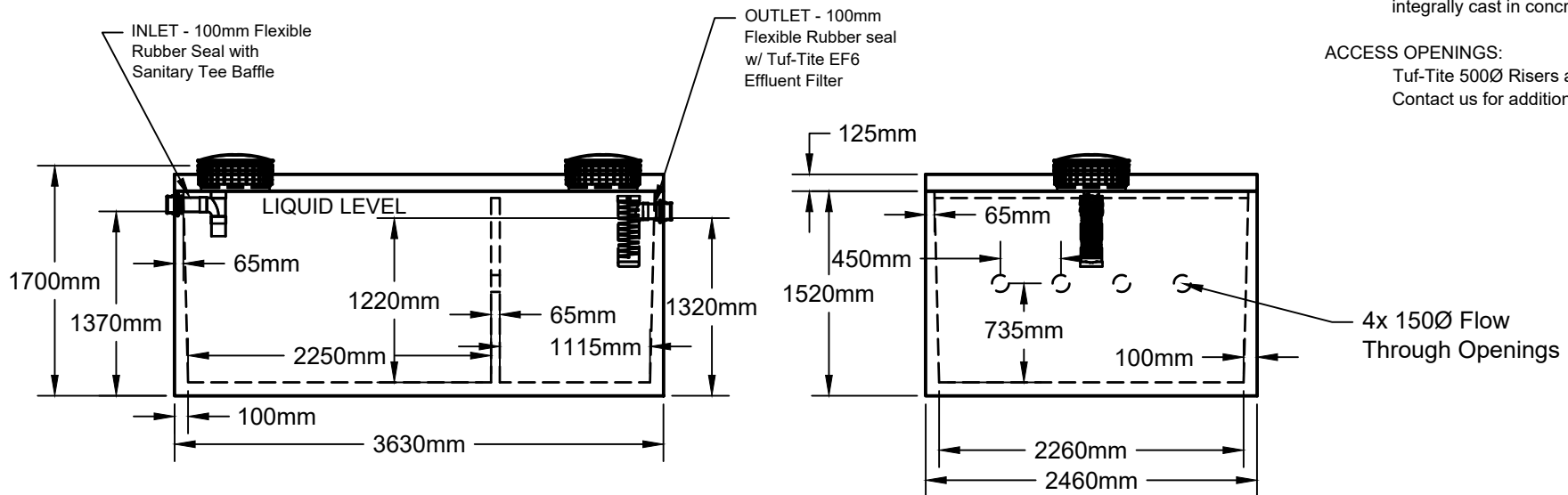
WEIGHT:
 TOP SECTION: 2800kgs
 BOTTOM SECTION: 6000kgs

MAX BURIAL DEPTH: 1200mm

WATER TIGHTNESS:
 1x row $\frac{3}{4}$ " Butyl mastic between sections.
 Sealant applied in factory according to
 manufacturers recommended method.

PIPE / WALL CONNECTIONS:
 100mm flexible watertight rubber seals
 integrally cast in concrete.

ACCESS OPENINGS:
 Tuf-Tite 500Ø Risers and Lids.
 Contact us for additional options



bb boyd bros
 concrete products

5450 Cuddy St Osgoode, ON K0A 2W0
 tel (613)826.2318 fax (613)826.3679
 toll free 888.846.6664
 website www.boydbrosconcrete.ca
 email info@boydbrosconcrete.ca

SCALE 1:75

WEIGHT

APPROVED

DRAWN Rob Sanna

SIZE
A

DWG NO

4/15/20

REV

PROJECT
9400L Tank

TITLE
9400