

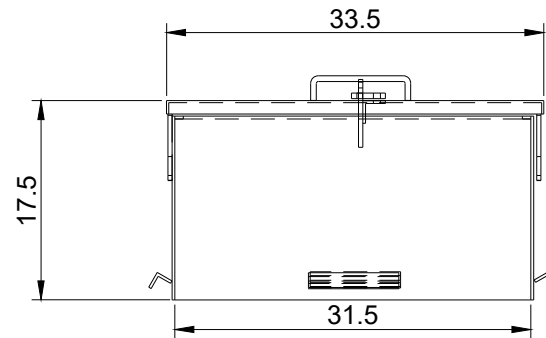
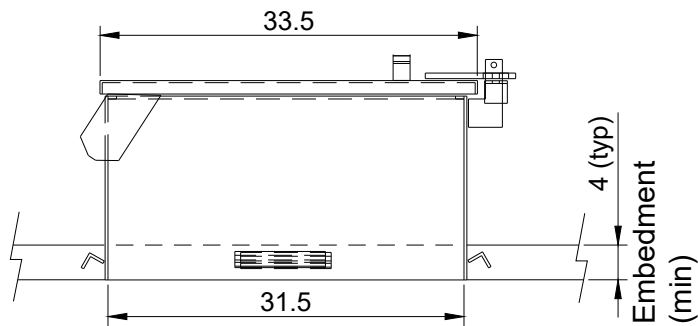
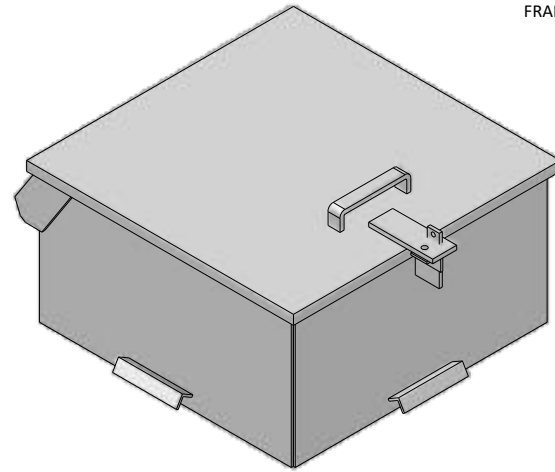
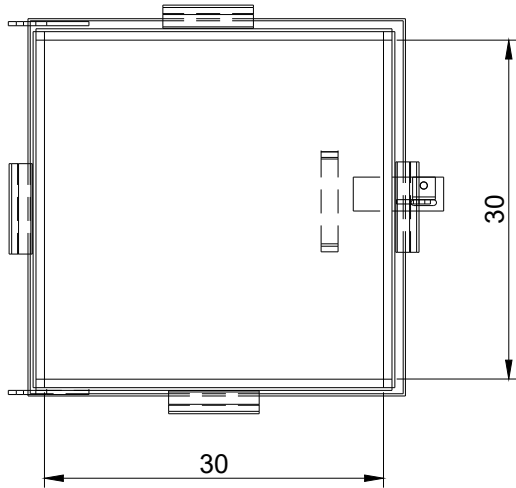
DRIP PROOF ALUMINUM HATCH - CAST-IN

NOTES:

LID: $\frac{3}{16}$ " ALUMINUM CHECKER PLATE
 WALLS: $\frac{3}{16}$ " ALUMINUM PLATE

$\frac{3}{4}$ " x $\frac{1}{2}$ " GASKET TAPE BETWEEN FRAME AND LID

BITUMINOUS PAINT APPLIED TO ALL LOCATIONS WHERE
 FRAME COMES INTO CONTACT WITH FRESH CONCRETE



BOYD BROTHERS
 5450 CUDDY ST, OSGOODE, ONT, K0A 2W0
 tel (613) 826-2318 fax (613) 826-3679
 toll free 888-846-6664
 website www.boydbrosconcrete.ca
 e-mail info@boydbrosconcrete.ca

PRODUCT		
DRIP PROOF ALUMINUM HATCH - 30X30		
SERIES NO	MODEL NO	DRAWN BY
HATCH	HATCH3030	RS
SCALE	REV	DATE
	1.0	FEB 25, 2019