

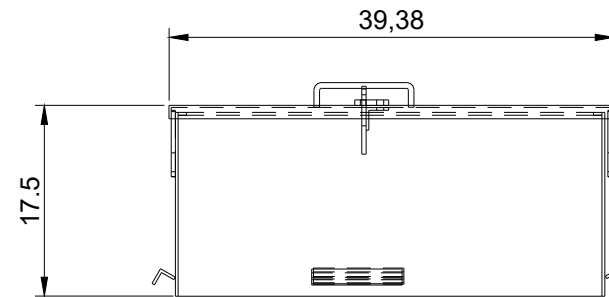
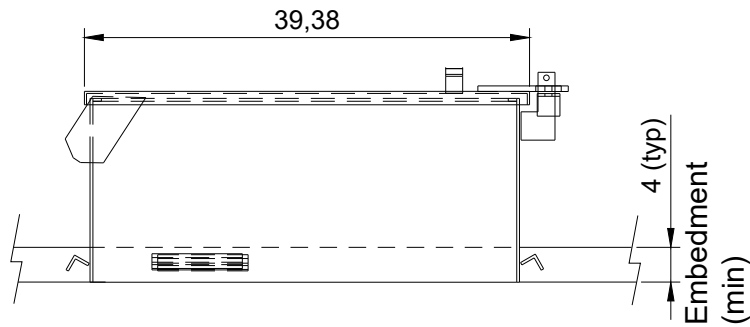
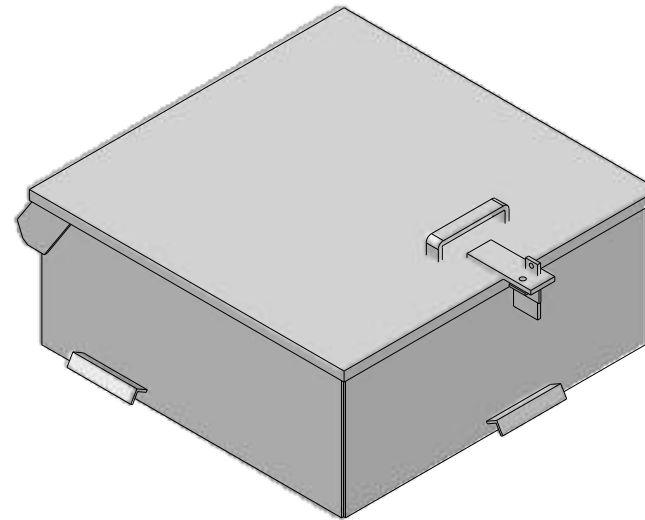
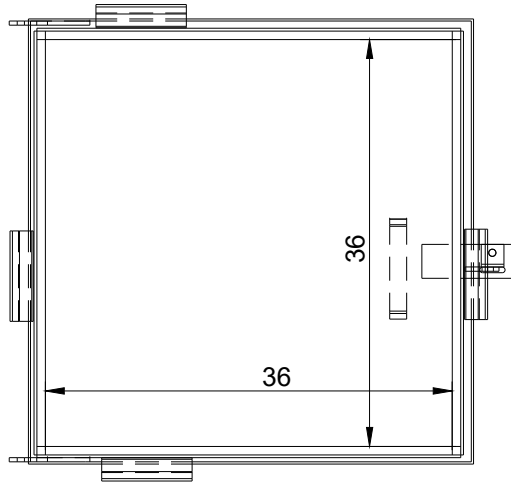
DRIP PROOF ALUMINUM HATCH - CAST-IN

NOTES:

LID:  $\frac{3}{16}$ " ALUMINUM CHECKER PLATE  
 WALLS:  $\frac{3}{16}$ " ALUMINUM PLATE

$\frac{1}{4}$ " x  $\frac{1}{2}$ " GASKET TAPE BETWEEN FRAME AND LID

BITUMINOUS PAINT APPLIED TO ALL LOCATIONS WHERE  
 FRAME COMES INTO CONTACT WITH FRESH CONCRETE



**BOYD BROTHERS**  
 5450 CUDDY ST, OSGOODE, ONT, K0A 2W0  
 tel (613) 826-2318 fax (613) 826-3679  
 toll free 888-846-6664  
 website www.boydbrosconcrete.ca  
 e-mail info@boydbrosconcrete.ca

PRODUCT		
DRIP PROOF ALUMINUM HATCH - 36X36		
SERIES NO	MODEL NO	DRAWN BY
HATCH	HATCH3636	RS
SCALE	REV	DATE
	1.0	FEB 25, 2019