

Model Number:	A20000
DWG. Number:	A20000
Quote Number:	----
Drawn By:	Austin Vandenberg
Checked By:	Jeff Bobber
Date:	8/31/2015
Revision Level:	001

Sheet Description:

Sheet No:
1 1
 Of

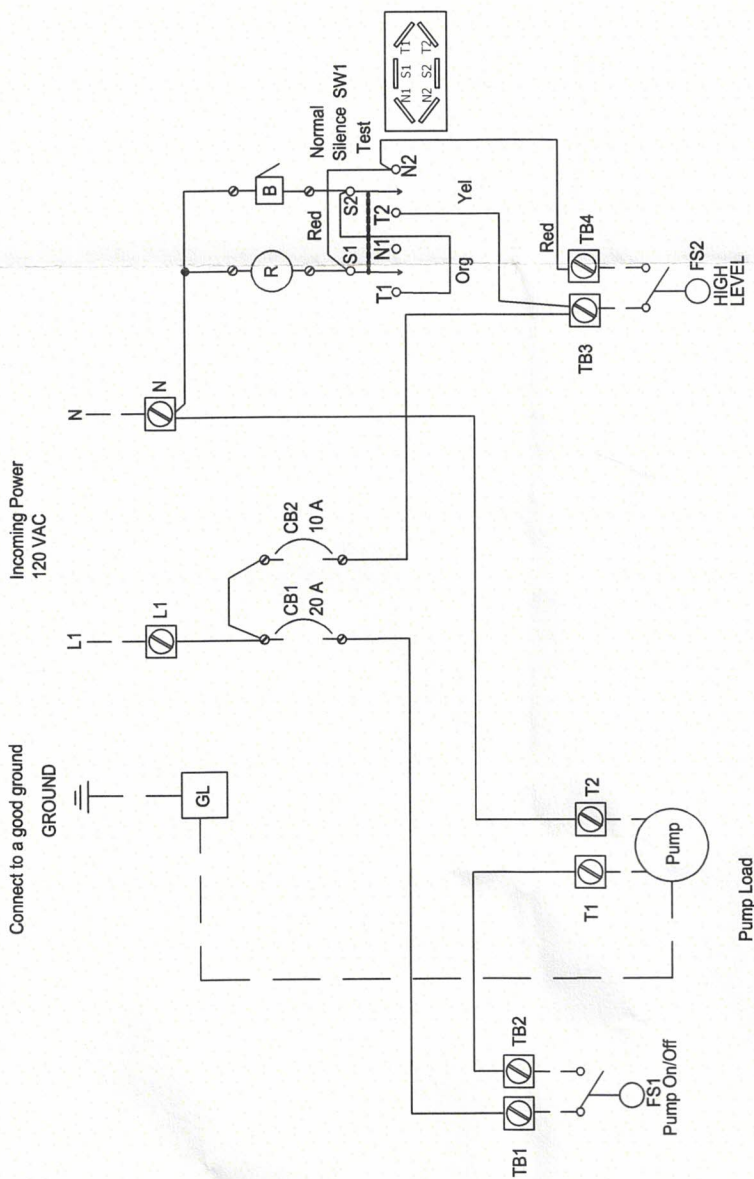
--- FIELD WIRING
 FIELD SUPPLIED
 TB TERMINAL BLOCK

Power Wiring = BLK
 120VAC Control Wiring = RED
 Neutral = WHT
 Ground = GRN

TIGHTENING TORQUE IN INCH POUNDS	75
EXTERNAL DRIVE WRENCH	75
AWG/ OR CIRCULAR MILL SIZE	14
	35
	35
	35
	40
	45
	45
	50
	50
	50
	50
	180
	180

LEGEND	
GL	GROUND LUG
CB	CIRCUIT BREAKER
R	ALARM BEACON
B	ALARM BUZZER
SW1	TEST/SILENCE/NORMAL SWITCH

Branch Circuit Protection Device/Disconnect Means Field Provided - size per manufacturing specifications for pump/motor



Pump Load
 120V, 0-15 Amps, 50/60 Hz
 Pump must contain integral thermal overload protection

- Notes:
1. WARNING! Electrical Shock Hazard! Disconnect power before servicing this product. A qualified service person must install and service this product according to applicable electrical and plumbing codes.
 2. Install in accordance with National Electric Code, NFPA 70. Seal all boxes, fittings and conduit with appropriate seal devices to prevent moisture and gases from entering enclosure.
 3. Connect all grounds to a good ground.
 4. Dashed lines represent field wiring - Use *minimum* 60 deg C Copper Wire
 5. Branch Circuit Protection Device/Disconnect Means Field Provided.