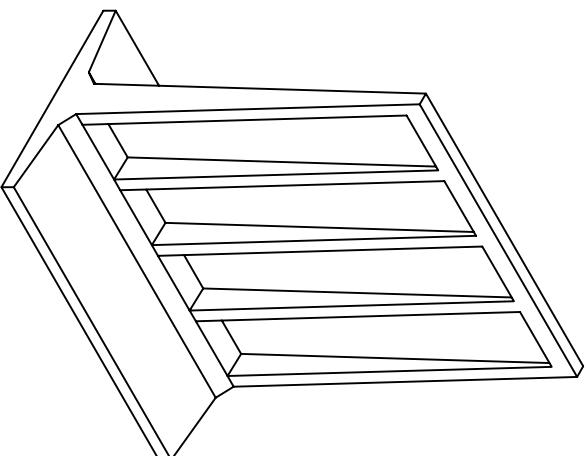
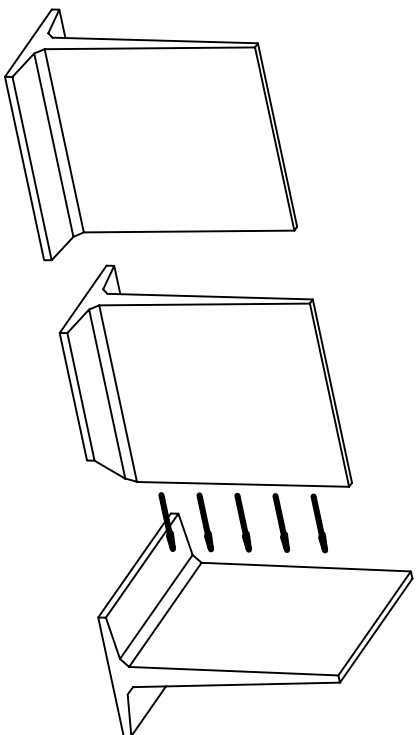
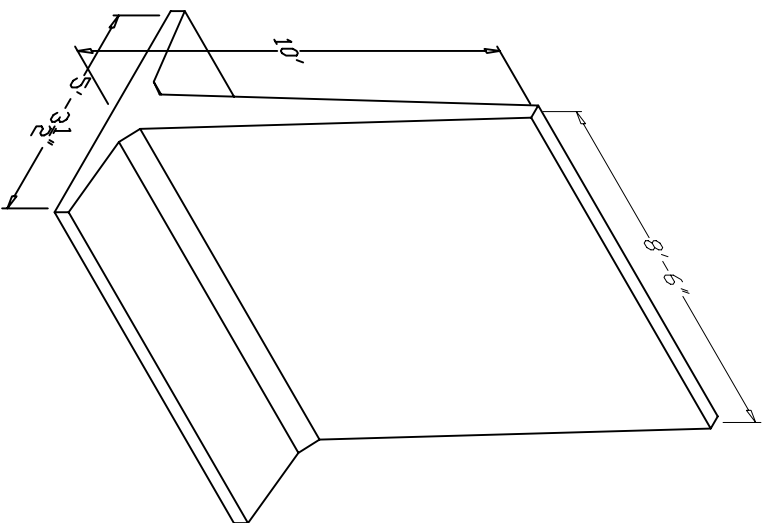


**T-WALL BUNK SILO**

35 MPa AIR-ENTRAINED CONCRETE  
10mm REBAR 300mm O/C E/W

WAFFLED OUTER WALL - 5200Kg  
SOLID DIVIDER WALL - 5900 Kg

TONGUE AND GROOVE CONSTRUCTION  
POTABLE BUTYL SEALANT BETWEEN PANELS TO MINIMIZE SPOILAGE



**BOYD BROS**  
concrete products and septic pumping

**BOYD BROTHERS**

5450 CUDDY ST  
OSGOODE, ONT, K0A 2W0  
tel (613) 826-2318  
fax (613) 826-3679  
toll free 888-846-6664

PRODUCT

**BUNK SILO - 10FT T-WALL**

SERIES NO

**BUNK SILO**

MODEL NO

SCALE

**1:X**

REV

**1.0**

DATE

**FEBRUARY 28, 2008**

MODELS IN SERIES

**T-10, L-10, E-10, C-10**