

15M rebar reinforcing

NOTES:
32MPa Concrete w/ 5-8% Air

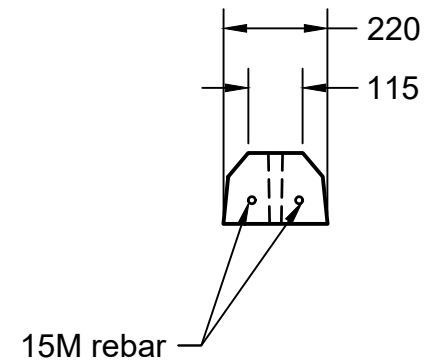
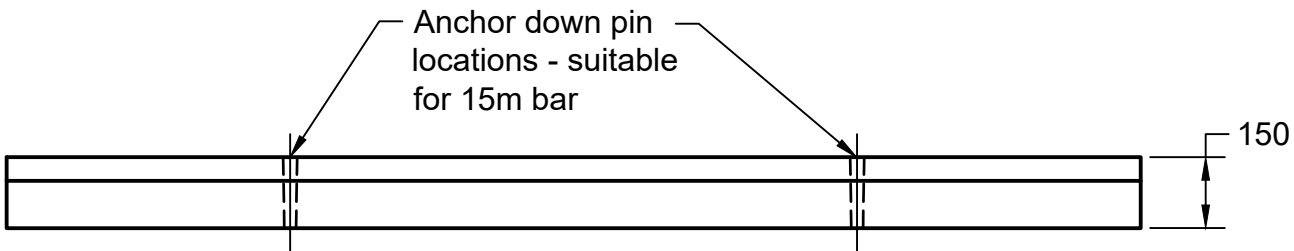
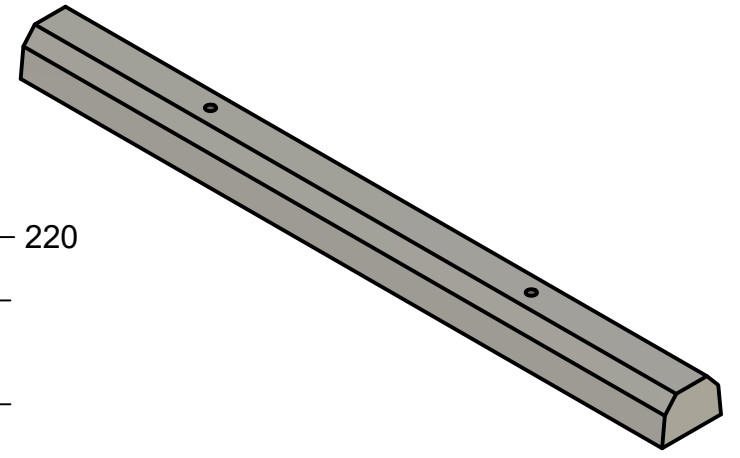
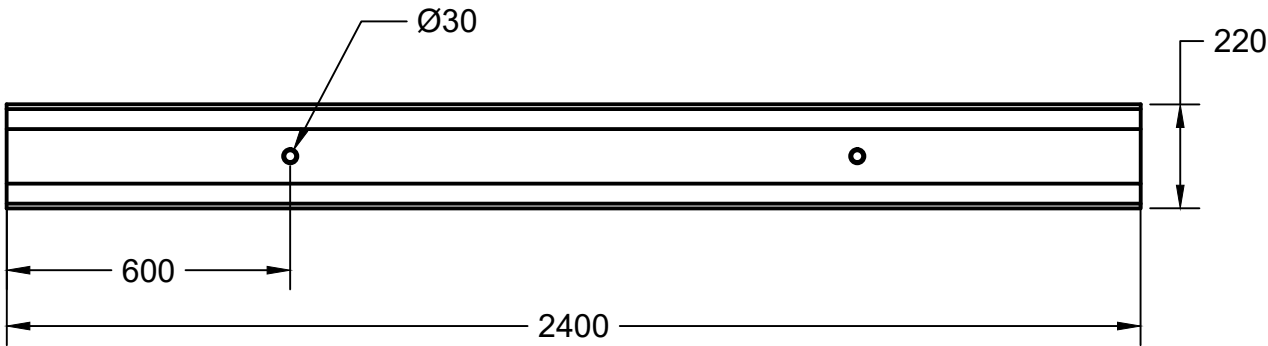
bb boyd bros
concrete products

5450 Cuddy St Osgoode, ON K0A 2W0
tel (613)826.2318 fax (613)826.3679
toll free 888.846.6664
website www.boydbrosconcrete.ca
email info@boydbrosconcrete.ca

SCALE 1:16	SIZE A	DWG NO	REV 1
WEIGHT 165Kgs (365lbs)			
APPROVED			
DRAWN Rob Sanna	4/22/20		

PROJECT Parking Curb
TITLE Parking Curb - OPSD 603.020





bb boyd bros
concrete products

5450 Cuddy St Osgoode, ON K0A 2W0
tel (613)826.2318 fax (613)826.3679
toll free 888.846.6664
website www.boydbrosconcrete.ca
email info@boydbrosconcrete.ca

SCALE 1:16	SIZE A	DWG NO	REV 1
WEIGHT 165Kgs (365lbs)			
APPROVED			
DRAWN Rob Sanna	4/22/20		

PROJECT	Parking Curb
TITLE	Parking Curb - OPSD 603.020