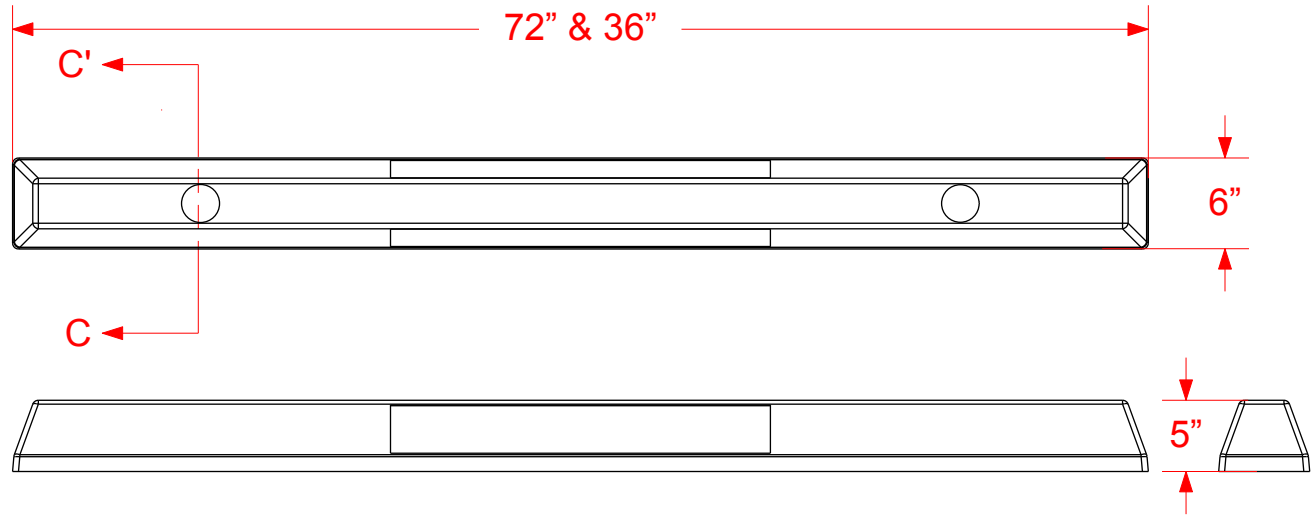
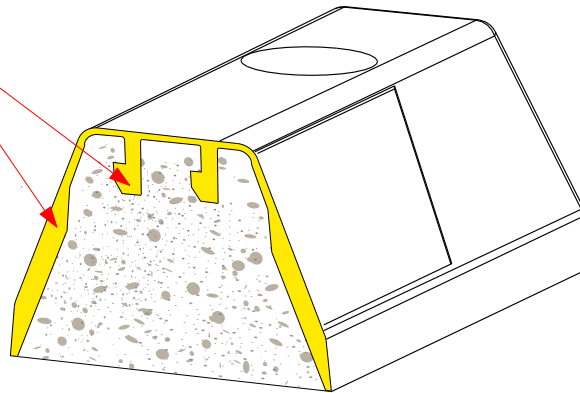


SECTION C - C



concrete keepers



**COLORS:** Safety Yellow OR Handicap Blue  
**MATERIAL:** UV Stabilized, high-impact polymer  
**NOTE:** MUST BE FILLED WITH CONCRETE



**TUF-TITE**®

Tuf-Tite, Inc.  
 1200 Flex Court  
 Lake Zurich, Illinois 60047

TELEPHONE: 847.550.1011  
 TOLL FREE: 800.382.7009  
 FAX: 847.550.8004

**PART:** **TUF-STOP**

**PART #:** TUF-STOP-YEL  
 TUF-STOP-BLUE