

4

3

2

1

WORKING VOLUME: 10050L
 TOTAL VOLUME: 11900L

CONCRETE:
 35MPa w/ 5-8% Air Entrainment
 Non-sulphate resistant

REINFORCING:
 Lid - 10M bar at 375mm O/C E/W
 Tank body - 10M bar at 450mm O/C E/W

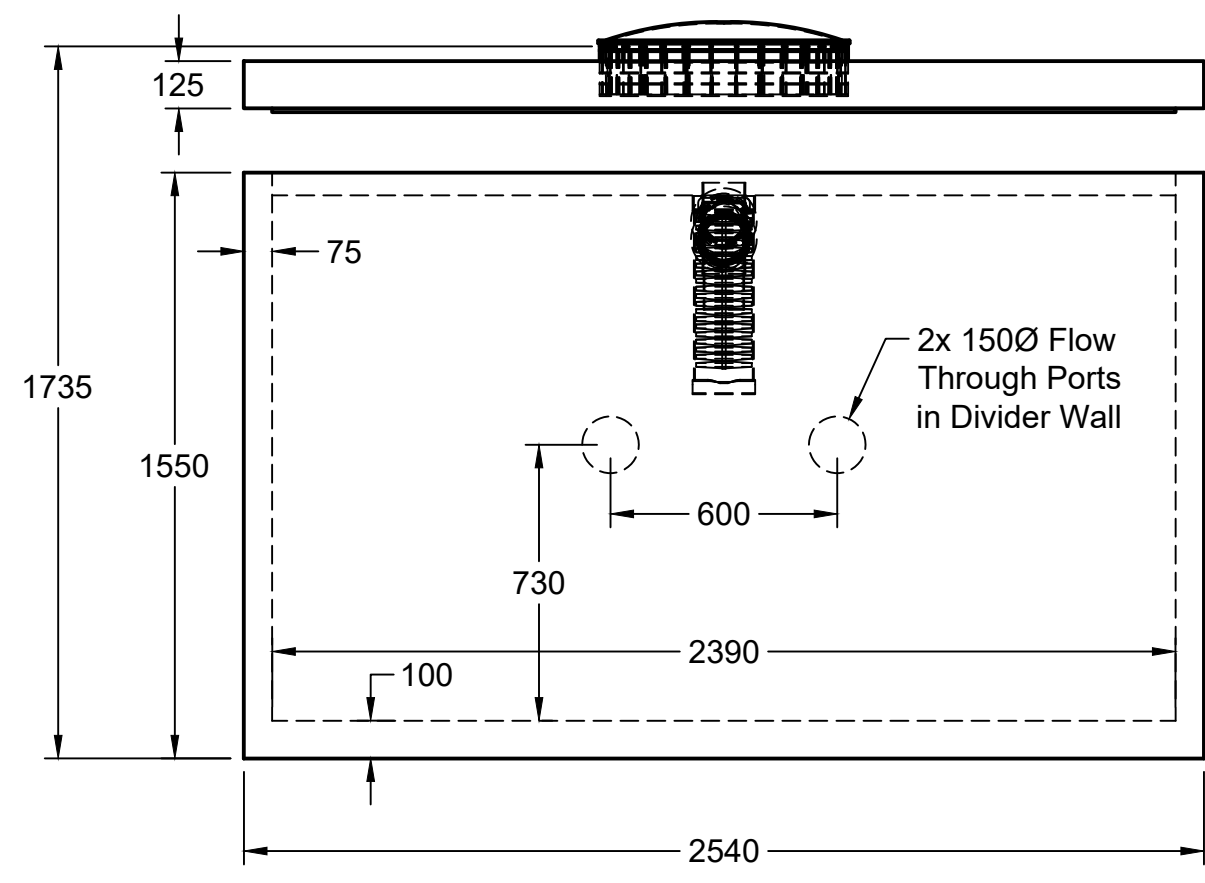
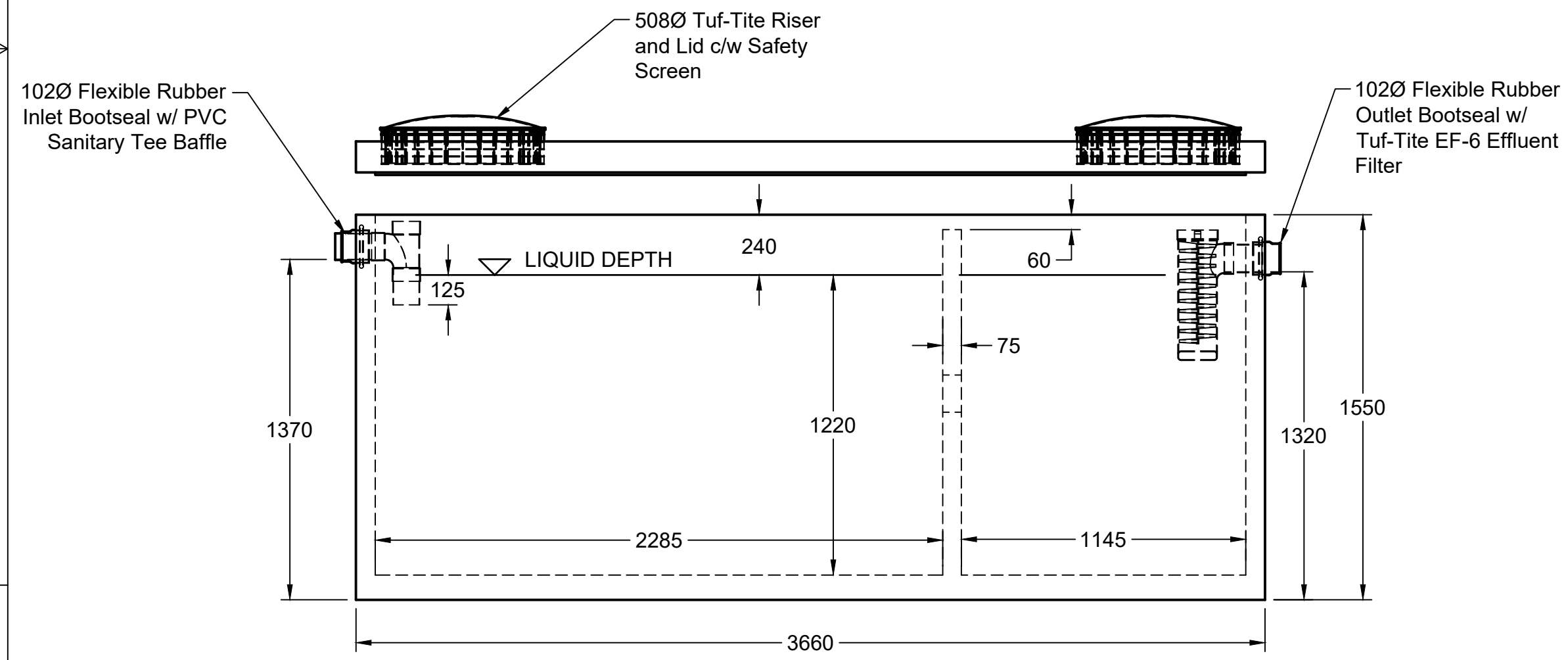
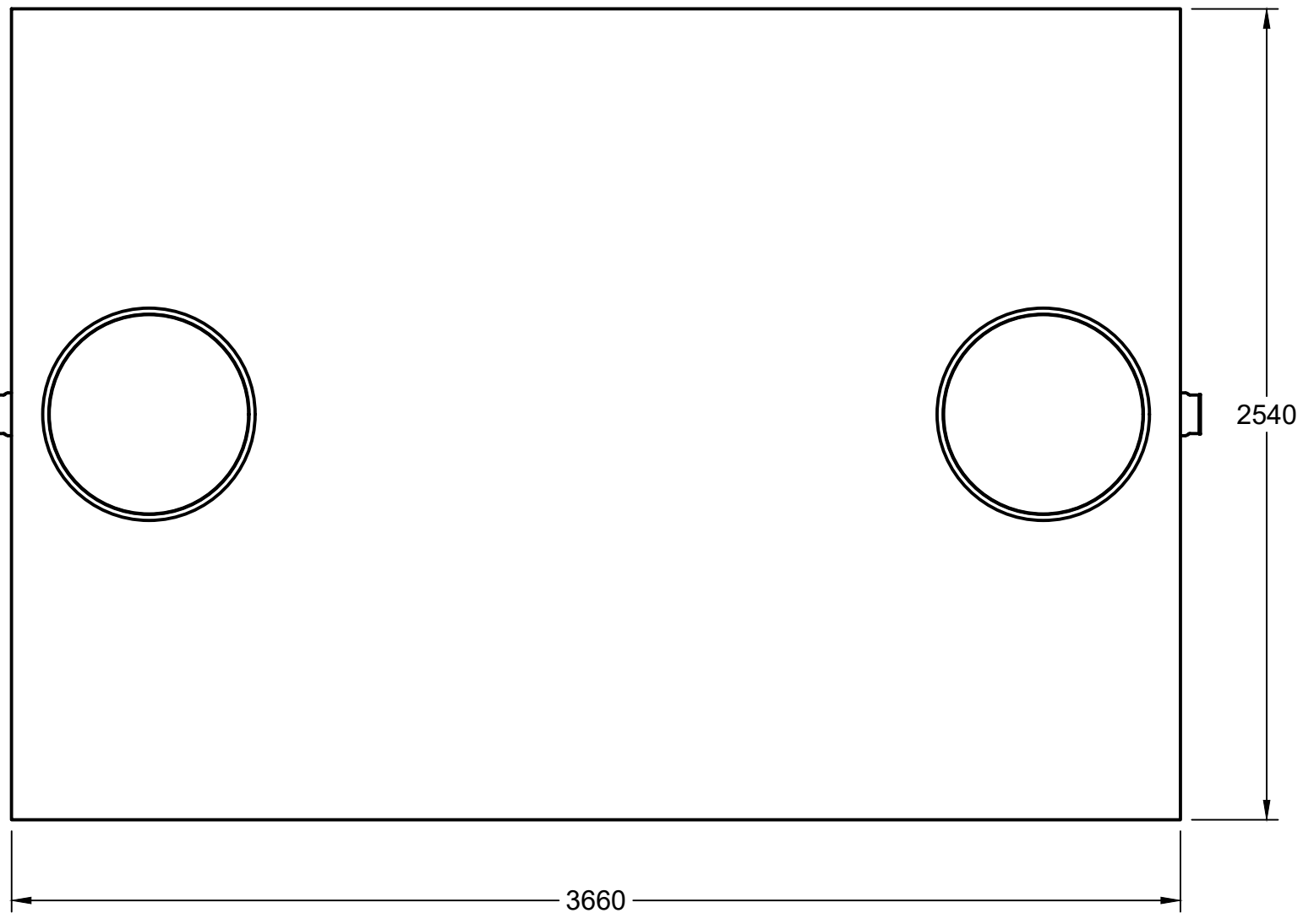
WEIGHT:
 TOP SECTION: 3020kgs
 BOTTOM SECTION: 6030kgs

MAX BURIAL DEPTH: 1200mm

WATER TIGHTNESS:
 1x row ConSeal CS102- $\frac{3}{4}$ " Butyl mastic between sections.
 Sealant applied in factory according to manufacturers recommended method.

PIPE / WALL CONNECTIONS:
 100mm flexible watertight rubber seals integrally cast in concrete.

ACCESS OPENINGS:
 Tuf-Tite 500Ø Risers and Lids.
 Contact us for additional options



bb BOYD BROS
 concrete products

5450 Cuddy St Osgoode, ON K0A 2W0
 tel: (613) 826.2318 fax: (613) 826.3679
 toll free: 888.846.6664
 website: www.boydbrosconcrete.ca
 email: info@boydbrosconcrete.ca

PROJECT		
Boyd Bros Form		
TITLE		
10000L Reg		
DRAWN Rob Sanna 1/11/22 APPROVED		
SIZE	DWG NAME	REV
C	10000L Reg Septic	2
SCALE 1:16	WEIGHT 9050 kgs	SHEET 1/1

4

3

2

1

D

D

C

C

B

B

A

A