

4

3

2

1

D

D

C

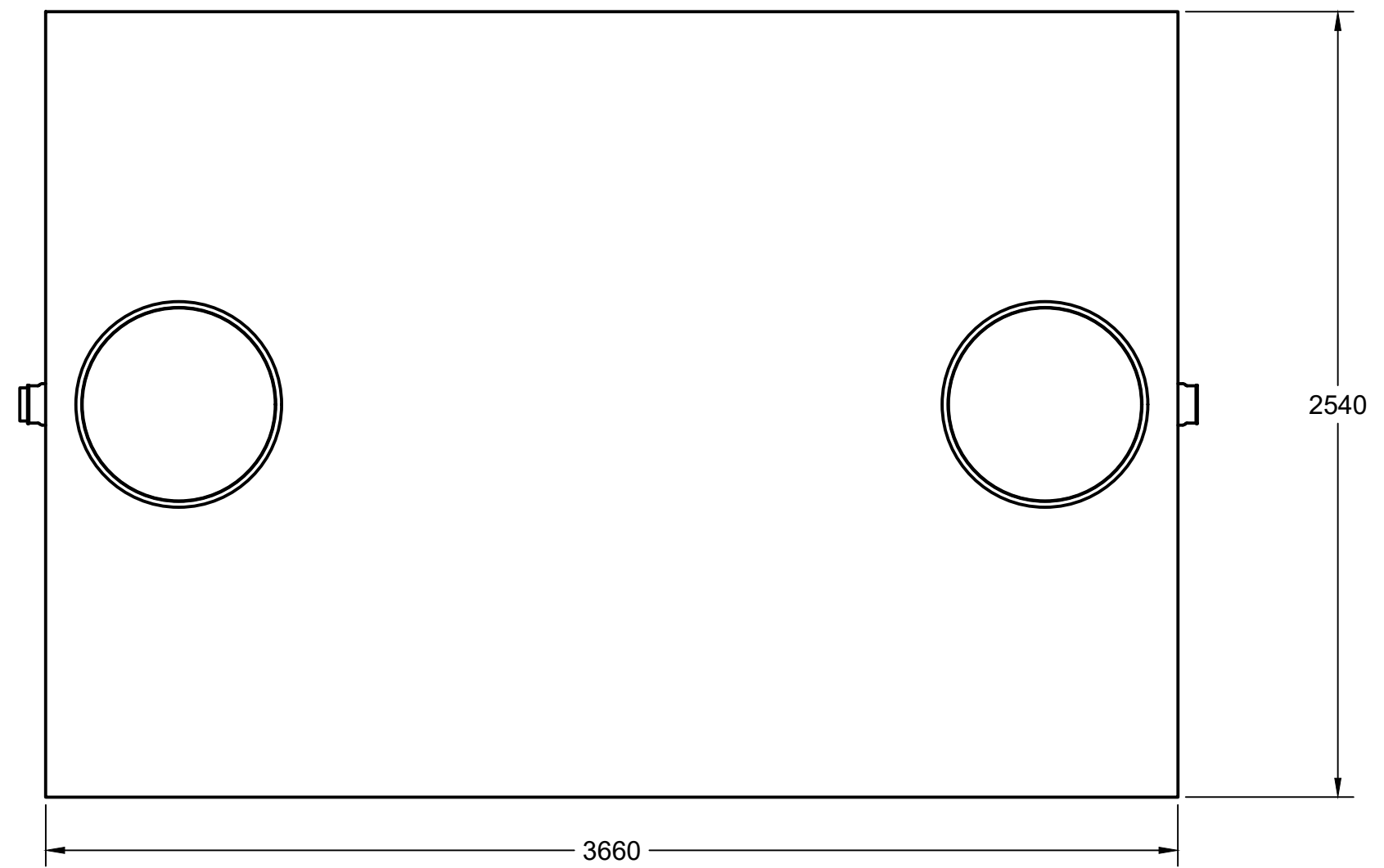
C

B

B

A

A



WORKING VOLUME: 8000L
 TOTAL VOLUME: 10200L

CONCRETE:
 35MPa w/ 5-8% Air Entrainment
 Non-sulphate resistant

REINFORCING:
 Lid - 10M bar at 375mm O/C E/W
 Tank body - 10M bar at 450mm O/C E/W

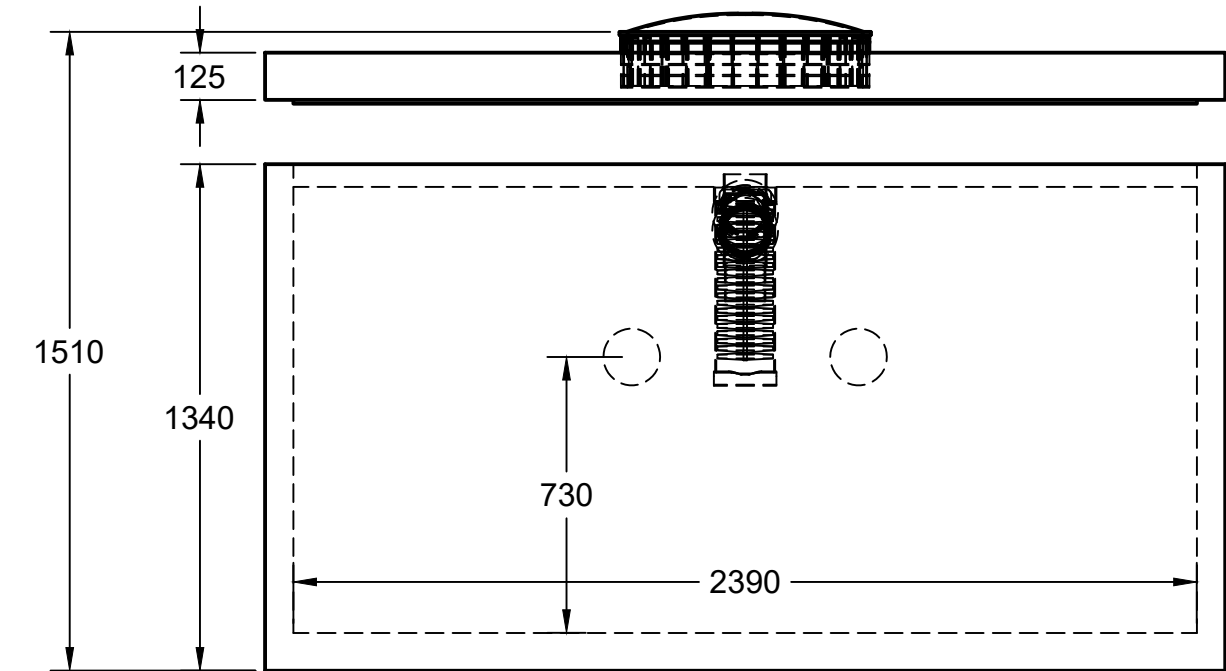
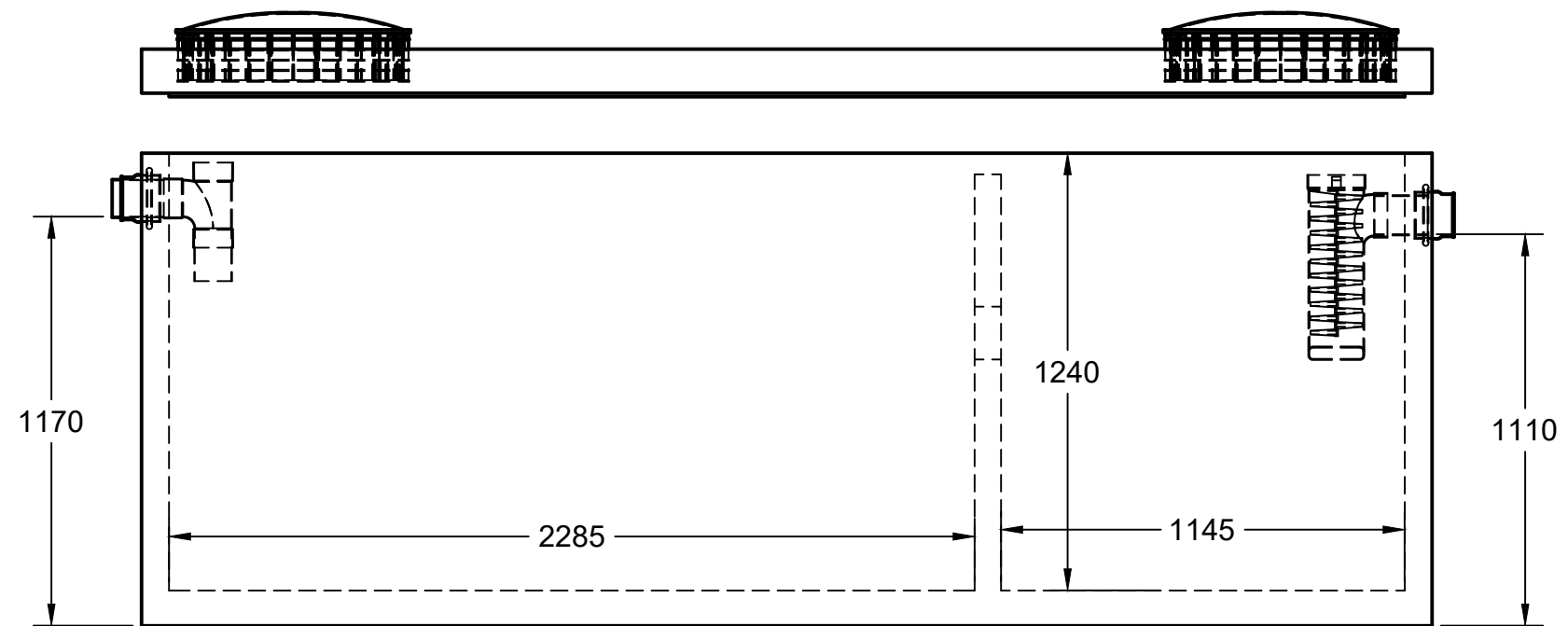
WEIGHT:
 TOP SECTION: 3020kgs
 BOTTOM SECTION: 5500kgs

MAX BURIAL DEPTH: 1200mm

WATER TIGHTNESS:
 1x row ConSeal CS102-³/₄" Butyl mastic between sections.
 Sealant applied in factory according to manufacturers recommended method.

PIPE / WALL CONNECTIONS:
 100mm flexible watertight rubber seals integrally cast in concrete.

ACCESS OPENINGS:
 Tuf-Tite 500Ø Risers and Lids.
 Contact us for additional options



5450 Cuddy St Osgoode, ON K0A 2W0
 tel: (613) 826.2318 fax: (613) 826.3679
 toll free: 888.846.6664
 website: www.boydbrosconcrete.ca
 email: info@boydbrosconcrete.ca

PROJECT		
BOYD BROS CONCRETE		
TITLE		
8000L Reg		
DRAWN Rob Sanna 3/28/23 APPROVED		
SIZE	DWG NAME	REV
C	8000Reg	1
SCALE 1:20	WEIGHT 8500KGS	SHEET 1/1

4

3

2

1