

WORKING VOLUME: 450L (100 GAL)
 TOTAL VOLUME: 680L (150 GAL)
 DOSING VOLUME: 0.8L/mm (4.4 GAL/inch)

CONCRETE: 32 MPa WITH 5-8% AIR ENTRAINMENT
 NON-SULPHATE RESISTANT

REINFORCEMENT: 10M DEFORMED BAR W/MIN 25mm (1") COVER
 WALLS AND BASE @ 600mm O/C EW
 LID @ 600mm O/C EW

WEIGHT: TOP SECTION - 200Kg (440 lbs)
 BOTTOM SECTION - 950Kg (2090 lbs)
 TOTAL - 1150Kg (2535 lbs)

MAXIMUM BURIAL DEPTH: 600mm (24")

WATER TIGHTNESS: CON-SEAL CS-102 MASTIC SEALANT BETWEEN LID AND BOTTOM SECTION APPLIED IN FACTORY ACCORDING TO MANUFACTURER'S RECOMMENDED METHOD.

RISERS ARE AVAILABLE TO BRING ACCESS TO GRADE LEVEL. RISERS ARE AVAILABLE IN 150mm(6") AND 300mm(12") INCREMENTS AND ARE STACKABLE.

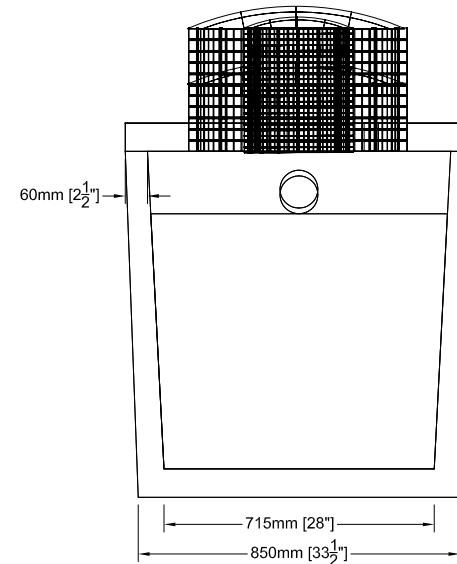
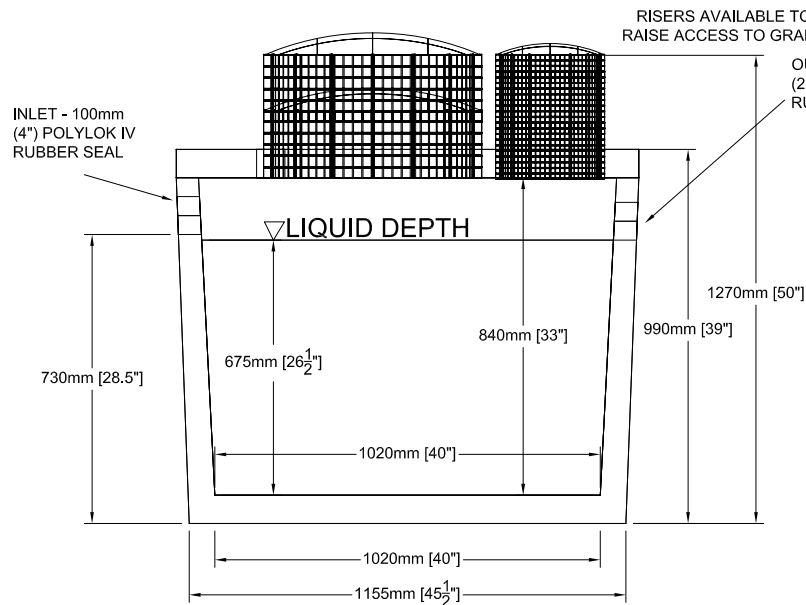
PIPE/WALL CONNECTIONS:

INLET: 100mm(4") POLYLOK IV HIGH PRESSURE PIPE SEAL CAST IN CONCRETE.

OUTLET: 50mm(2") POLYLOK II HIGH PRESSURE SEAL CAST IN CONCRETE.

PVC SOLVENTWELD ADAPTER OR POLYPROPYLENE INSERT ADAPTER AVAILABLE FOR CONNECTION.

VENTING: 100mm(4")PVC COUPLING CAST IN LID



BOYD BROTHERS

5450 CUDDY ST, OSGOODE, ONT, K0A 2W0
 tel (613) 826-2318 fax (613) 826-3679
 toll free 888-846-6664
 website www.boydbrosconcrete.ca
 e-mail info@boydbrosconcrete.ca

PRODUCT		
450L (100 GAL) PUMP CHAMBER		
SERIES NO 900PC	MODEL NO 450PC	MODELS IN SERIES 450PC, 900PC
SCALE 1:20	REV 4.0	DATE Mar 18, 2019