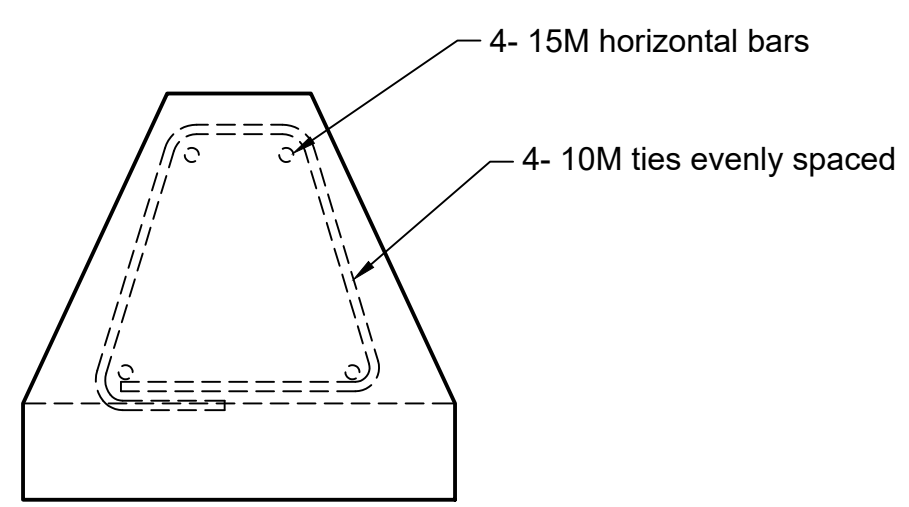
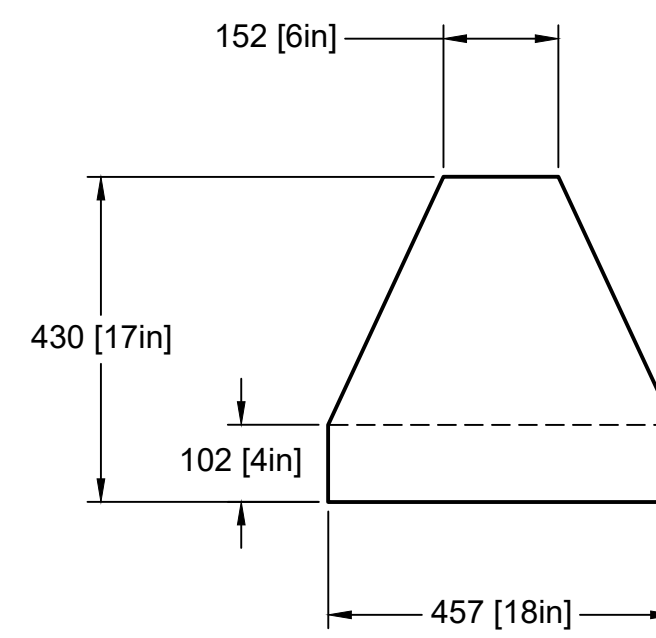
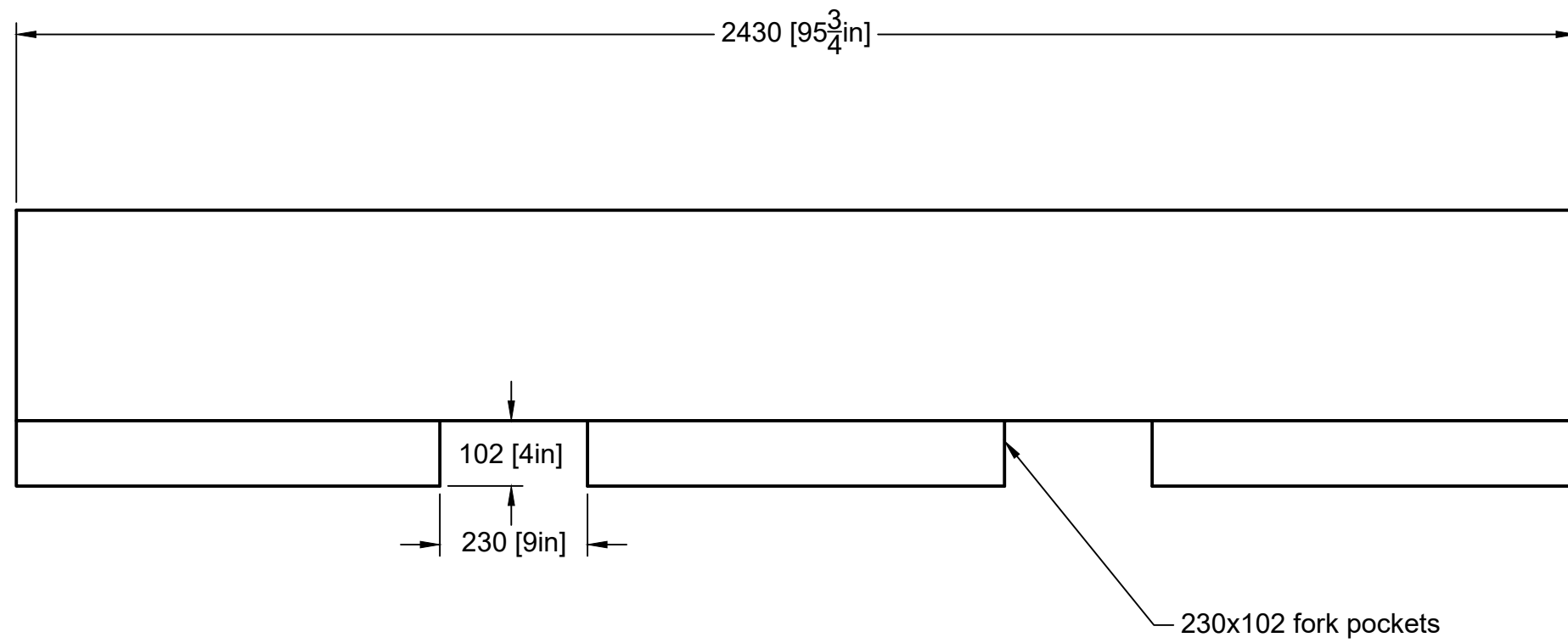
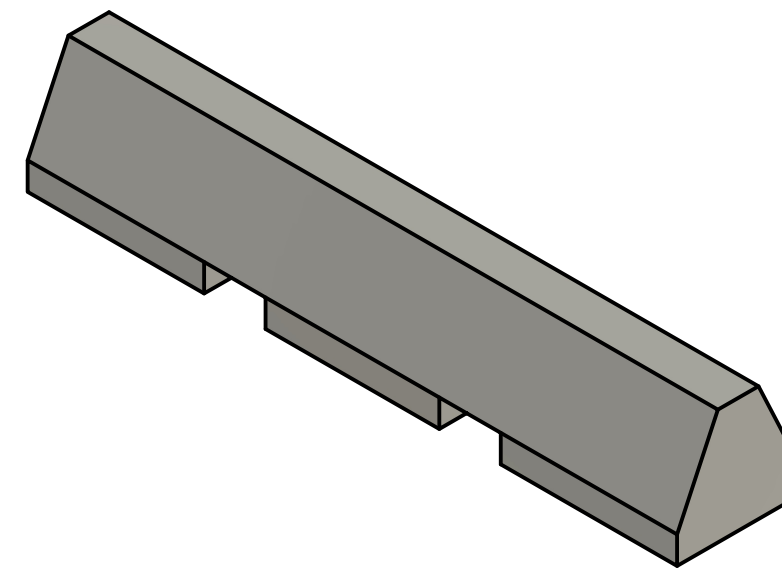


4

3

2

1



SPECIFICATIONS
ALL DIMENSIONS IN MM

CONCRETE:
35MPa w/ 5-8% air entrainment
Non-sulphate resistant

REINFORCING:
4- 15M bars horizontally
4- 10M ties evenly spaced
All reinforcing steel has 30mm Min. Cover

WEIGHT
Each precast section: 820 kgs

bb boyd bros
concrete products

5450 Cuddy St Osgoode, ON K0A 2W0
tel: (613) 826.2318 fax: (613) 826.3679
toll free: 888.846.6664
website: www.boydbrosconcrete.ca
email: info@boydbrosconcrete.ca

PROJECT		
BOYD BROS CONCRETE		
TITLE		
Mini Barrier		
DRAWN Rob Sanna 8/22/24 APPROVED		
SIZE	DWG NAME	REV
C	min_barrier	1
SCALE 1:10	WEIGHT 820	SHEET 1/1

4

3

2

1

D

D

C

C

B

B

A

A